

CAM7511

5 Megapixel 360° Surround View Fisheye Network Camera



- Megapixel Progressive Scan Sensor
- Up to 2560 x 1920 Video Resolution
- H.264/MPEG4/MJPEG 2 Simultaneous Video Streams
- Support Surveon Video Intelligence
- MicroSD/SDHC Local Storage for Alarm Capture
- Day/Night Function with IR-Cut Filter
- Power over Ethernet (IEEE 802.3af)
- WDR (Wide Dynamic Range)
- 360° Surround View



Product Specification

Camera	
Image Sensor	1/2.5" megapixel progressive scan CMOS
Lens	f=1.05mm, F2.8
SNR	48dB
WDR	Yes
Day/Night ICR	Yes
IR LED	N/A
Min Illumination	0.05 Lux @ F2.8 (B/W) 0.5 Lux @ F2.8 (Color)
Iris Control	Fixed
Shutter Time	1/1 ~ 1/1,000,000 s
Viewing Angle	Vertical: 180°
Camera Angle Adjustment	N/A
Pan/Tilt/Zoom Functionalities	N/A
Video	
Video Compression	H.264/MPEG-4/MJPEG
Resolution	Up to 2560 x 1920
Frame Rate	14 fps at QSXGA (2560 x 1920) 21 fps at QXGA (2048 x 1536) 30 fps at 1080P (1920 x 1080) 30 fps at SXGA (1280 x 1024) 30 fps at 720P (1280 x 720) 30 fps at D1 (720 x 480) 30 fps at VGA (640 x 480) 30 fps at QVGA (320 x 240)
Video Stream	Dual stream at H.264, MPEG-4, and MJPEG simultaneously
Bit Rate	32K ~ 20Mbps, VBR, CBR, controller frame rate and quality
Video Control	AGC (Auto Gain Control), AWB (Auto White Balance), AES (Auto Electronic Shutter), Luminance Control, WDR, 2D/3D De-noise, ROI, Edge Enhancement, Lens Correction, image adjustment
Intelligent Video	Motion detection, tampering detection (blocked, redirected, defocused, or spray-painted)
Video Jack	N/A

Audio	
Built-in MIC	Yes
Audio Compression	16KHz, ADPCM/G.711
Audio Input/Output	3.5mm phone jack (optional)
I/O and Event Management	
Alarm In	1, terminal block (optional)
Alarm Out	1, terminal block (optional)
Video Buffer	5 second pre-alarm, 30 second post-alarm
Event Action	Send snapshot or video clip by FTP or email, record to NAS, record to local storage, trigger DO
Network	
Supported Protocols	IPv4, IPv6, ARP, TCP, UDP, ICMP, IGMP, DHCP, NTP, DDNS, SMTP, SNMP, FTP, HTTP, HTTPS, CIFS, PPPoE, UPnP, RTP, RTSP, RTCP, 3GPP, iSCSI
Ethernet	10/100 Base-T / RJ45
System	
Local Storage	microSD/SDHC x 1 (Class 4/Class 6 only)
RS-485	N/A
USB	N/A
SDK	Surveon SDK 2.0
Viewing System	
OS	Microsoft Windows XP/Vista/7
Browser	IE 8.x or above, Safari, Chrome (via IE Tab)
Software	Surveon VMS 2.5
General	
Temperature	Operation: -10°C ~ 50°C (14°F ~ 122°F) Storage: -30°C ~ 60°C (-22°F ~ 140°F)
Humidity	5 to 90%
Power	12VDC 1.5A ; PoE (IEEE 802.3af) with Class 3
Power Consumption	Max. 5W
Dimension	Dim: Ø145mm x 47mm (H)
Weight	Net: 490g
Certification	Safety: LVD EMC: FCC, CE, GOST
Warranty	3 years

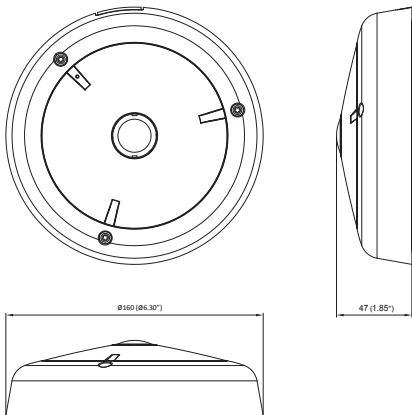
* All specifications are subject to change without notice.
* All brand names and registered trademarks are the property of their respective owners.

CAM7511

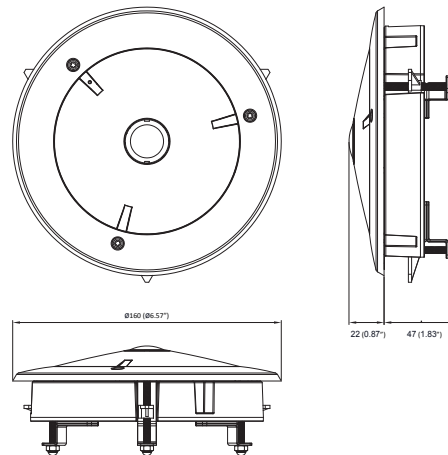
5 Megapixel 360° Surround View
Fisheye Network Camera

Appearance

Hard Mount



In Mount



Unit:mm(inches)

View Function

Original Surround View



Panorama View



Two Panorama View



Quad View



Package Content

Contents	Quantity
Quick Installation Guide	1
Product DVD	1
CAM7511	1
Screw Hole Indicator Sticker	1
Anchors and Mounting Screws	3
L Type Hexagon Spanner	1
Audio & DIDO Cable	1
Camera Cover	2

Ordering Information

Part Number	Description
CAM7511-0015	5 megapixel 360° surround view fisheye network camera with fixed lens

Optional Accessories

Part Number	Description
ZPWR18W-0030	Power Adapter, 12VDC, 1.5A; 18W
YBPIC0001G0	PoE Injector, 15.4W, 10/100M
ZCABLEXT1-0030	Cable, Audio in/out, DI/DO