

Hardware Installation

Warning!

Only qualified service personnel should install and service this product in order to avoid risk of injury from electrical shock and energy hazard.

Observe all ESD (Electro-static Discharge) procedures during installation to avoid damage to the camera and its components.

Tools Required

- Phillips Screwdriver
- Electric Drill

Accessories

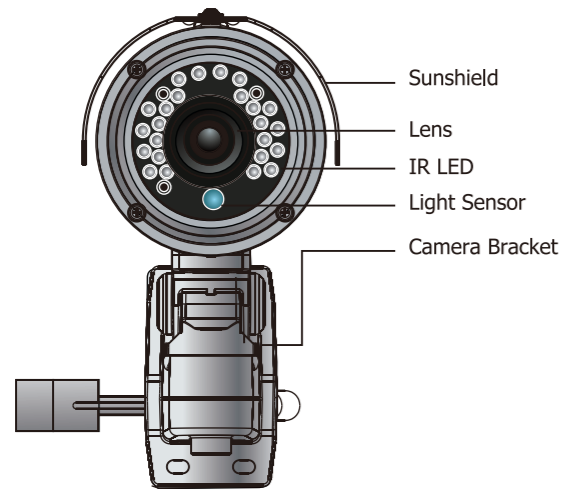
- Quick Installation Guide x1
- Product DVD x1 (including manuals)
- Anchors and Mounting Screws x4
- Camera Bracket x1
- Screw Hole Indicator Sticker x 1
- RoHs Compliance x1
- L Type Hexagon Spanner x1

User-provided Items

- LAN Cable
- PC with Windows (XP or above) and web browsers (Internet Explorer 6.0 or above) installed

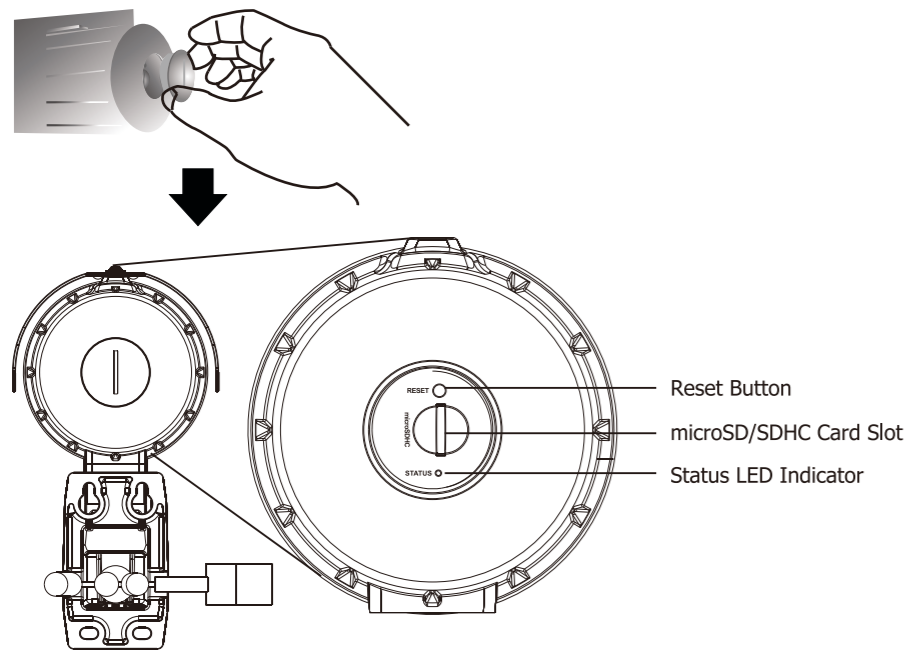
1 Hardware Overview

Front View

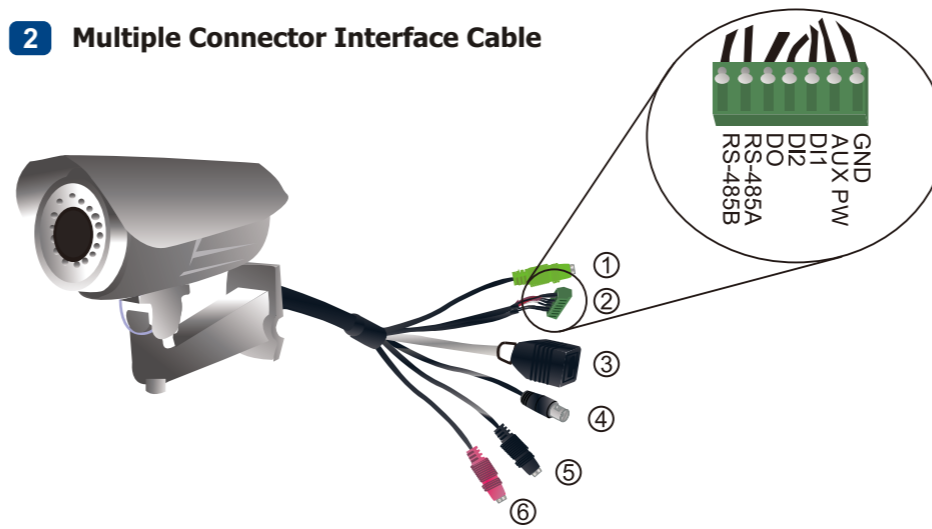


Rear View

Please remove the cover.



2 Multiple Connector Interface Cable



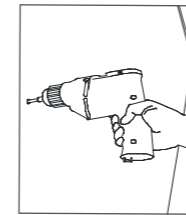
- 1 Audio Out Connector
- 2 I/O Terminal Connector
- 3 Network Connector
- 4 Video Out Connector
- 5 Power Connector
- 6 Audio In Connector

Please look into the following table for cable options.

	CAM3361/3471V/3571VP/3471HEV	CAM3371/3371EV/3371EM/3471M/3471MP/3471HEM/3571M
Audio In/Out Connector	Optional	Optional
Network Connector	✓	✓
Power Connector	✓	✓
I/O Terminal Connector	Optional	Optional
Video Out Connector	✓	

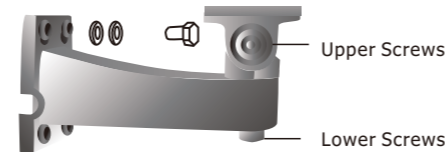
3 Installation

1. Use the screw hole indicator sticker to mark the desired camera position on the ceiling. Use the sticker as a guide, and make one cable entry hole and four screw holes on a flat interface with the electric drill.



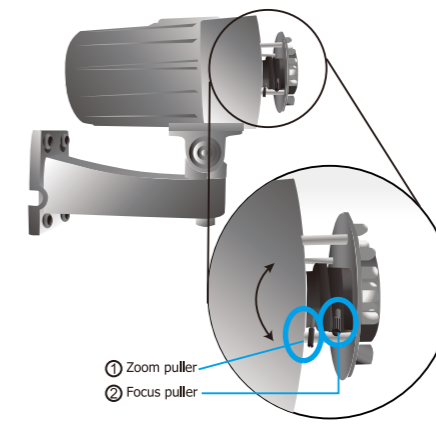
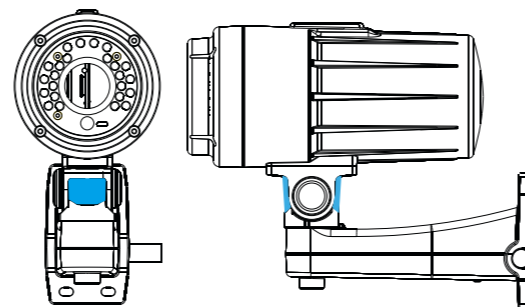
2. Fix the camera bracket on the surface with screws and screw anchors. Loosen the upper screws to adjust the bracket from upward to downward. Loosen the lower screws to adjust the bracket from right to left.

3. Run the cable through the bracket.



4. Join the camera with the bracket.

5. The bracket is suggested to be sealed after positioning the camera to ensure the waterproof characteristics of the camera are maintained. Use the L type hexagon spanner to screw the bracket joint tight.



Notice

Cover removal is not required on models with motorized lens. (CAM3371/3371EM/3471M/3471MP/3471HEM/3571M)

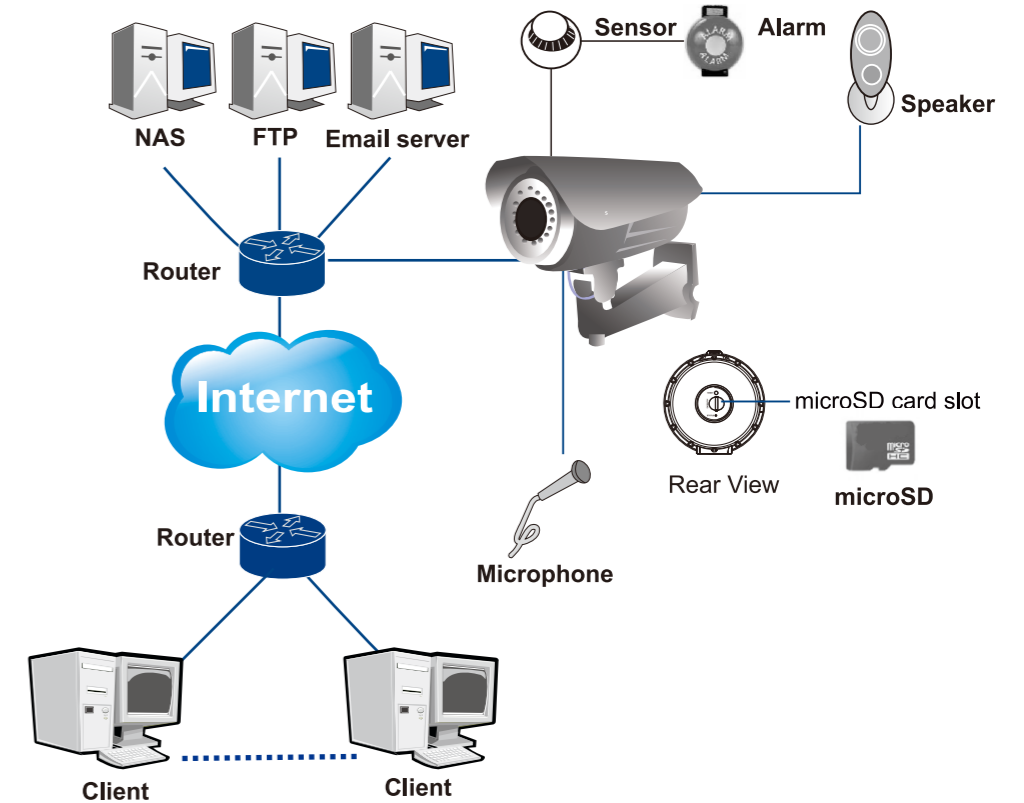
Note: Please check the live view after the camera is logged in.

7. Connect the camera to the network with the network connector.

8. Connect the power connector to a power outlet.

9. The LED will blink amber to indicate the boot-up sequence has started. Wait until the LED is in a steady green state, indicating the camera boot-up is complete.

4 Camera Deployment



5 Before You Start

Please prepare a PC with Windows (XP or above) and web browsers (Internet Explorer 6.0 or above) installed.

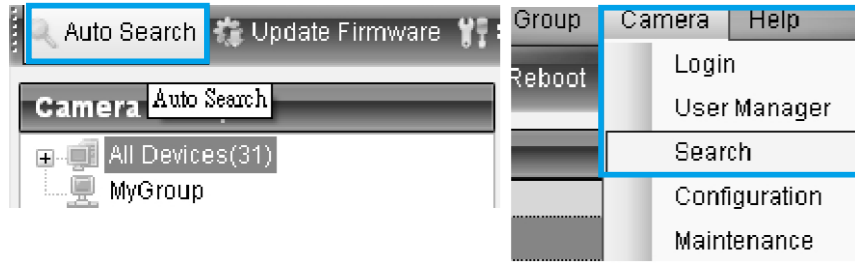


Software Installation

1 Obtaining IP Address through the IP Utility

The IP address can be obtained using the IP Utility in your product CD:

1. Double click Start SearchToolInstall.exe to begin the utility installation.
2. After the installation is complete, click the **Auto Search** button or click **Camera > Search** in the menus.



The camera search will begin, and a status bar will display the search progress.

3. The details of the camera will display after the search is finished.

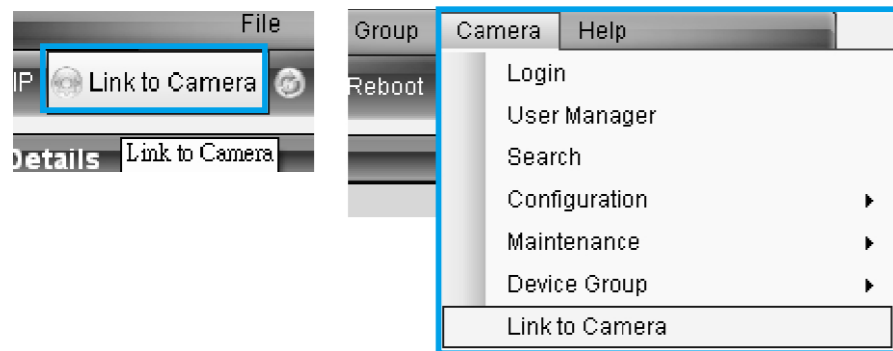
File Group Camera Help				
t IP Link to Camera Reboot Focus Tool				
Details				
	Number	Name	IP	Model
<input type="checkbox"/>	1	CAM4361	172.18.7.96	CAM4361
<input type="checkbox"/>	2	cam4310	172.18.7.58	CAM4310
<input type="checkbox"/>	3	CAM2311	172.18.7.83	CAM2311

- Note:** (1) The search may take up to 2 minutes, depending on your network configuration.
(2) If your network does not have DHCP service, the default IP address is 192.168.88.10.

2 Connecting to the Network Camera

Launch the web browser (Microsoft® Internet Explorer 6.0 or higher is recommended). Enter the IP address of the network camera in the address bar of your browser and press enter.

You can also Click the **Link to Camera** button or click to **Camera > Link to Camera** in the IP Utility menu bar. The camera's live view webpage will open in a browser window.



3 Logging into the System

The following information will prompt for logging in:

- **Username** – The username for the domain. **Default is always admin.**
- **Password** – The password for the domain. **Default is always admin.**

Click **OK**.

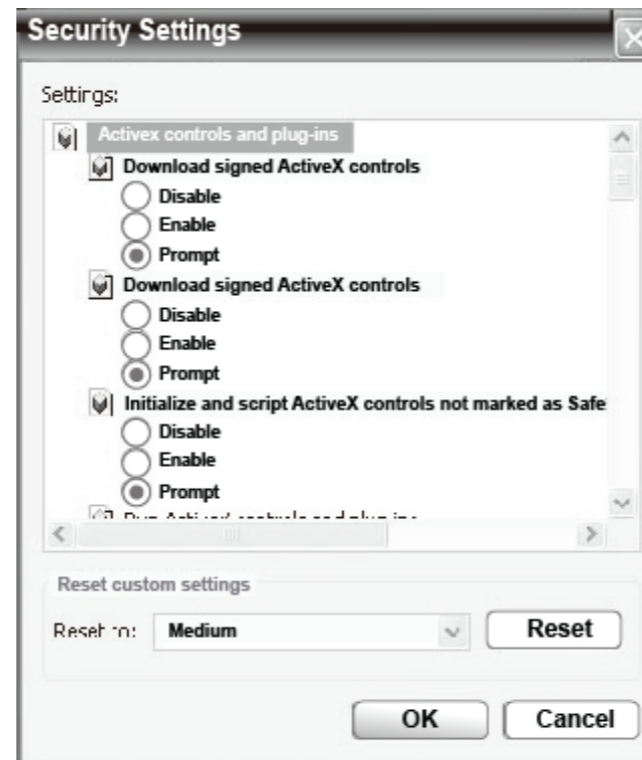
Once successfully logged in, live video displays in the center of your browser.



4 Installing ActiveX Components in Internet Explorer

You may be prompted to install ActiveX® components when accessing the network camera's Live View page; click Yes when prompted. You will be able to access the camera after installation is completed. Under Windows, this action may require administrator privileges. If the dialog box suggests that you are not allowed to install ActiveX components, try resolving the problem using the following steps:

1. In Internet Explorer, open **Tools > Internet Options > Security**. Click the **Custom Level** button.
2. Search for Download signed ActiveX controls. Under this heading select Prompt and then click **OK**.

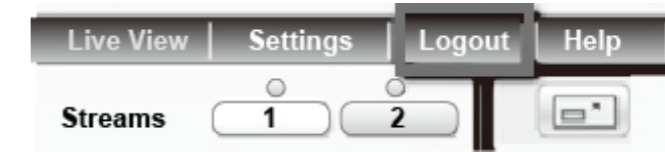


3. Continue installing the ActiveX components.

4. After installing ActiveX, go to **Tools > Internet Options > Trusted Websites > Sites** and add the IP address of the camera.

5 Logging out of the System

Logging off of the camera can be performed by closing the browser window. Users can also choose to click the Logout link located at the top of the screen.



Note: For details about accessing camera video using QuickTime or Real Player over RTSP, please refer to the IP Camera user manual.

6 Network Configuration

Prepare your internet connectivity by clicking **Settings > Network > Network Configuration**. From here you can configure DHCP, static IP, DNS, PPPoE, or DDNS. DDNS is configured by selecting a DDNS site from its drop-down menu. PPPoE setting changes will take effect after a camera reboot. Provide the username and password from your Internet Service Provider (ISP) within the PPPoE section. When PPPoE is applied, the associated DDNS service must be enabled.

