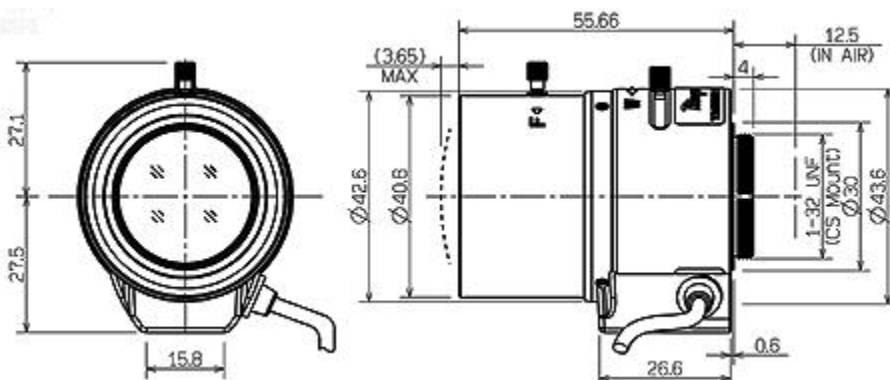




## Mega-Pixel Vari-Focal (2.8-12mm F1.6 Aspherical)



### SPECIFICATIONS

Focal Length	2.8-12mm
Aperture Range	F1.6 -360
Mount	CS
Iris Operation	DC Auto Iris
Focus Operation	Manual w/Lock
Zoom Operation	Manual w/Lock
1/3" Angle of View (wide/telephoto)	96.8° x 71.6 °/ 24.0 ° x 18.0°
Focusing Range	0.3m ~ INF
Back Focus (in air)	7.96mm(wide) ~ 19.39mm(tele)
Wave length	Visible light ~ Near Infrared
Filter Size	---
Operating Voltage	Open: 4.0V Close: 0.5V
Weight	70g ±5g
Operating Temperature	-20° ~ +60° C

### Ordering Information

Model YB0LTM7C01G0 3 Megapixel Vari-Focal (2.8-12 mm.) lens DC Auto Iris