



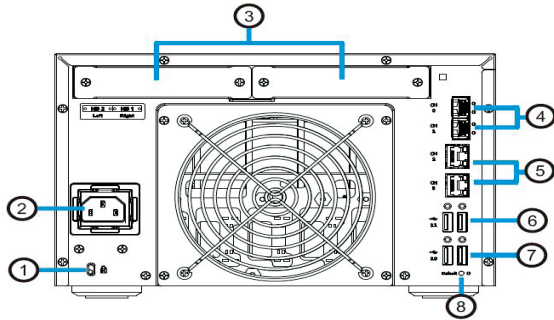
- 4/9/16 CH Megapixel Recording (up to 5MP or above)
- Support 5-bay Hot-Swappable SATA Hard Disk
- Enterprise Hardware RAID Function for Data Protection
- Built-in Surveon Enterprise VMS
- Scalable Client-Server Architecture

### Software Specifications

Live View	<ul style="list-style-type: none"> <li>• Real-time network camera discovery</li> <li>• Versatile views of various screen divisions</li> <li>• Multiple views supported</li> <li>• View patrolling for single or multiple views</li> <li>• Real time video/event alarm monitoring</li> <li>• Support 3 installation modes and 5 different fisheye dewarp display modes</li> <li>• Support live audio</li> </ul>	Rule Manager	<ul style="list-style-type: none"> <li>• Conditional recording/alert/notification</li> <li>• Email, FTP, SMS, popup window, PTZ Panel, Relay output notifications</li> <li>• Sound, alarm, round-the-clock alerts</li> <li>• Support email template</li> </ul>
eMAP	<ul style="list-style-type: none"> <li>• Drag-n-drop camera manipulation</li> <li>• Hierarchical and multiple layer map structure</li> <li>• Real time event alert</li> <li>• Instant live video of camera</li> </ul>	Remote Management	<ul style="list-style-type: none"> <li>• Remote operation &amp; management via VMS Client</li> <li>• Remote management and control via SCC &amp; SCC Client</li> </ul>
PTZ	<ul style="list-style-type: none"> <li>• Pan, tilt, and zoom operations (depends on camera)</li> <li>• Built-in PTZ control panel</li> <li>• Preset position (depends on camera)</li> <li>• Event-driven camera patrolling</li> <li>• Support OnScreen PTZ</li> </ul>	Remote Client	<ul style="list-style-type: none"> <li>• Web Client • iPhone client • Android Client</li> </ul>
I/O	<ul style="list-style-type: none"> <li>• Digital I/O management</li> <li>• Support Ethernet Digital I/O Controller</li> </ul>	3rd Party IPCAM	<ul style="list-style-type: none"> <li>• ACTi, Arecont Vision, Axis, Dahua, Dynacolor, Hikvision, IQinvision, Mobotix, Panasonic, and more</li> </ul>
Multiple Displays	<ul style="list-style-type: none"> <li>• Support dual monitors</li> <li>• Supports live view, playback, eMap functions (depends on product)</li> <li>• Direct display to secondary monitor(s)</li> </ul>	Storage Expansion	<ul style="list-style-type: none"> <li>• Built-in RAID storage management</li> </ul>
Investigation	<ul style="list-style-type: none"> <li>• Search by date, time, and camera</li> <li>• Search over multiple days</li> <li>• Search over multiple cameras</li> <li>• Different colored recording indicator on calendar</li> <li>• Intuitive, video thumbnail search results</li> <li>• Cue-in, cue-out and loop playback</li> <li>• Quick playback by video thumbnails</li> <li>• 1/8, 1/4, 1/2, 1x, 2x, 4x, 8x play, pause, stop</li> <li>• AVI-formatted video clip export</li> <li>• Up to 16 channel synchronized playback (depends on product)</li> <li>• Support 3 installation modes and 5 different fisheye dewarp playback display modes</li> </ul>	General & Misc.	<ul style="list-style-type: none"> <li>• Video privacy mask</li> <li>• Digital zoom in, zoom out</li> <li>• Log viewer, log export mechanism</li> <li>• Client auto login</li> <li>• Automatic storage recycling</li> <li>• Client-server architecture</li> <li>• Customized authority account management</li> <li>• Digital watermark proofing</li> <li>• Support DDNS function</li> <li>• Support time synchronization with NTP server</li> <li>• Support Customized Event management and log mechanism</li> <li>• Auto port mapping for internet connection</li> <li>• Support batch setting IPCAM parameters</li> <li>• Support Health Check function</li> <li>• Support standby recording (Failover)</li> <li>• Support offline recording with Surveon cameras</li> <li>• Support APC SMART-UPS</li> </ul>
Video Intelligence	<ul style="list-style-type: none"> <li>• N/A</li> </ul>	Language	<ul style="list-style-type: none"> <li>• Support multiple language on VMS including English, Czech, Dutch, French, German, Italian, Japanese, Korean, Persian, Polski, Portuguese, Russian, Slovak, Spanish, Turkish, Simplified Chinese, Traditional Chinese</li> </ul>
Recording Policy	<ul style="list-style-type: none"> <li>• Supports up to 64 channels megapixel recording (depends on product)</li> <li>• Continuous recording</li> <li>• Event-driven recording along with rules</li> <li>• Scheduled recording on daily or weekday basis</li> <li>• Post alarm recording 1-300 seconds</li> <li>• Pre-alarm recording 1-300 seconds</li> <li>• Support individual schedule recording</li> </ul>		

### Functions

Rear View



Item	Description
1	Kensington lock slot
2	Power socket
3	Host board slots (HB 1 on the right, HB 2 on the left)
4	10 GbE(SFP+) ports

Item	Description
5	1 GbE(RJ-45) ports
6	USB 3.1 Gen2 ports
7	USB 3.0 ports
8	Restore default button

### Hardware Specifications

GSe Pro 105	
System Processor	Intel Avoton (Atom) / 4 Core 2.40GHz
System Memory	DDR3 4GB (non-ECC), up to 8GB or 16GB
Operating System	Linux Embedded System
Storage	5 x 3.5" or 2.5" SATAII/SATAIII hard disk drives
I/O Interface	Onboard host ports: 4 x 1Gb/s iSCSI ports (RJ-45) More host options: 4 x 8Gb/s Fibre Channel ports 2 x 16Gb/s Fibre Channel ports 4 x 1Gb/s iSCSI ports 4 x 10Gb/s iSCSI ports (SFP+) 2 x 10Gb/s iSCSI ports (RJ-45) 2 x USB 2.0 2 x USB 3.0
RAID	0, 1 (0+1), 3, 5, 6, 10, 30, 50, 60
Electrical	Single 250W
Operating Environment	• Humidity: 5% to 95% (non-condensing) • Temperature: 5° to 40°C
LED Indicator	Yes
Dimensions	255mm (W) x 168mm (H) x 254mm (D)
Certification	Safety: UL, BSMI, CB Electromagnetic Compatibility: CE, BSMI, FCC
Warranty	3 years

### Ordering Information

Model name	Description
GSe Pro 105	4/9/16 CH, 5-Bay Megapixel H/W RAID NVR
ZCDULT-0010	SCC with Unlimited Host License
ZCD5H-0010	SCC with 5 Host License
ZCD10H-0010	SCC with 10 Host License
ZCD20H-0010	SCC with 20 Host License

### Optional Accessories

Part Number	Description
ZJOYSTICK-0050	CH Products, IP Desktop USB Joystick. 3 axes joysticks for P/T control, 12 HID buttons, USB 1.1 HID compliant, Easy to use and operate.
ZETHIOBOX-0030	Ethernet I/O Box, Ethernet Digital I/O Controller, Digital Input x6, Digital Output x3 (for VMS 2.4.8)
ZPOE08-0030	8 Port 10/100Mbps 120W PoE Switch
ZPOE26-0030	24 Port 10/100Mbps + 2 Port GBE Combo (UTP/ SFP) 380W PoE Switch
HUS726T4TALE6L4	Western Digital Enterprise 3.5" SATA 6Gb/s HDD, 4TB, 7200RPM
HUS726T6TALE6L4	Western Digital Enterprise 3.5" SATA 6Gb/s HDD, 6TB, 7200RPM
MG05ACA800E	Toshiba Enterprise 3.5" SATA 6Gb/s HDD, 8TB, 7200RPM