

CAM6871EZ-5

8 Megapixel (4K) 22x Zoom Outdoor Speed Dome Network Camera



- Megapixel SONY Progressive Scan Sensor
- Up to 3864x2180 30FPS Video Resolution
- Electronic Image Stabilizer (EIS)
- H.265/H.264/MJPEG Simultaneous Video Streams
- Motion Detection & Surveon Video Intelligent
- Day/Night Function with IR-Cut Filter
- 22X Optical Zoom and Auto Focus
- IP66, IK10 and Wide Temperature for Outdoor Application
- Triple power support (PoE+ / DC12V/ AC24V)
- BNC Analog Output for installation support
- Support RS-485
- Support Auto Tracking Function (Optional)



Product Specification

Camera	
Image Sensor	1/1.8" Progressive CMOS
Lens	f6.4-138.5 mm, autofocus lens, F1.5
SNR	50dB
WDR	Yes
EIS	Yes
Day/Night ICR	Yes
IR LED	N/A
Min Illumination	0.002 lux (B/W) 0.04 lux (Color)
Iris Control	Automatic / Manual IRIS control
Shutter time	1/1 ~ 1/10,000 s
Viewing Angle	Horizontal FOV: 64° (wide), 3° (tele) Vertical FOV: 37° (wide), 2° (tele)
Camera Angle Adjustment	Pan: 360° endless, 5°-400°/s Tilt: -10° ~ +190°, 5°-400°/s
Pan/Tilt/Zoom Functionalities	1. 180° Horizontal Instant Flip 2. 256 preset positions 3. Preset position auto scanning 4. 22x optical zoom 5. Auto tracking function (optional)
Video	
Video Compression	H.265/H.264/MJPEG
Resolution	Up to 3864x2180
Frame Rate	30 fps at 4K 30 fps at 6M 30 fps at 1080P
Video stream	Up to 4 individually configurable streams in H.265/H.264/MJPEG Configurable resolution/frame rate/bandwidth LBR/VBR/CBR in H.265/H.264
Bit Rate	64K ~ 10Mbps, VBR, CBR, controller frame rate and quality
Video Control	AGC (Auto Gain Control), AWB (Auto White Balance), BLC (Back Light Compensation), 2D/3D Noise Reduction, Digital Image Stabilization, Image adjustment, Privacy zone: On/Off (5 zones)
Intelligent video	Motion detection
BNC Support	Yes
Video Jack	N/A

Audio	
Built-in MIC	N/A
Audio Compression	G.711/G.726/AAC/LPCM
Audio In/Out	Line In, terminal block
I/O and Event Management	
Connectors	RJ45, Alarm in x4, Alarm out x2, Terminal Block DC12V , AC24V Terminal Block Audio in, out Terminal Block CVBS Connector, RS485 Terminal Block
Video Buffer	N/A
Event Action	Send snapshot or video clip by FTP or email, record to local storage, trigger DO
Network	
Security	User Authentication/HTTPS/IP Filter/IEEE 802.1X
Supported Protocols	ARP, PPPoE, IPv4/v6, ICMP, IGMP, QoS, TCP, UDP, DHCP, UPnP, SNMP, SMTP, RTP, RTSP, HTTP, HTTPS, FTP, NTP, DDNS
Ethernet	RJ-45, 1Gbps Ethernet
System	
Local Storage	MicroSD/SDXC/SDHC
RS-485	Yes
USB	N/A
SDK	Surveon SDK 2.0
Viewing System	
OS	Microsoft Windows 7/8
Browser	IE 8.x or above, Safari, Chrome (via IE Tab)
Software	Surveon VMS 2.5
General	
Temperature	Operation: -40°C ~ 50°C (-40°F ~ 122°F) with heater
Humidity	10 to 90%, No Condensation
Power	802.3at PoE+ / DC 12V / AC 24V
Power Consumption	PoE+ IEEE802.3at, class 4 DC12V 24.4W (w/ heater Max. 32.4W) AC24V 25.4W (w/ heater Max. 33.4W)
Dimension	ø210 x 279 mm (H)
Certification	CE / FCC / LVD / IEC / EN 60825-1 Class I/ IP66 / IK10
Warranty	2 years

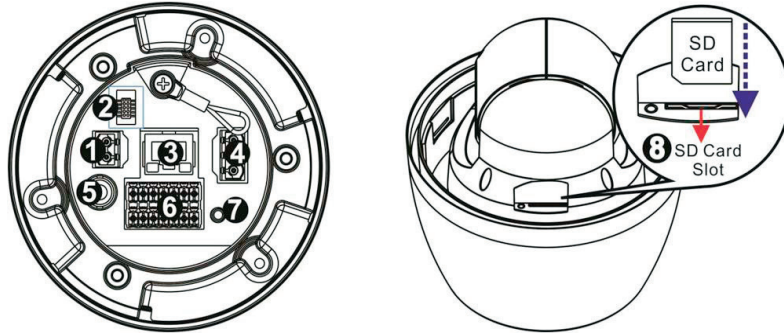
* All specifications are subject to change without notice.
* All brand names and registered trademarks are the property of their respective owners.

CAM6871EZ-5

8 Megapixel (4K) 22x Zoom Outdoor Speed Dome Network Camera

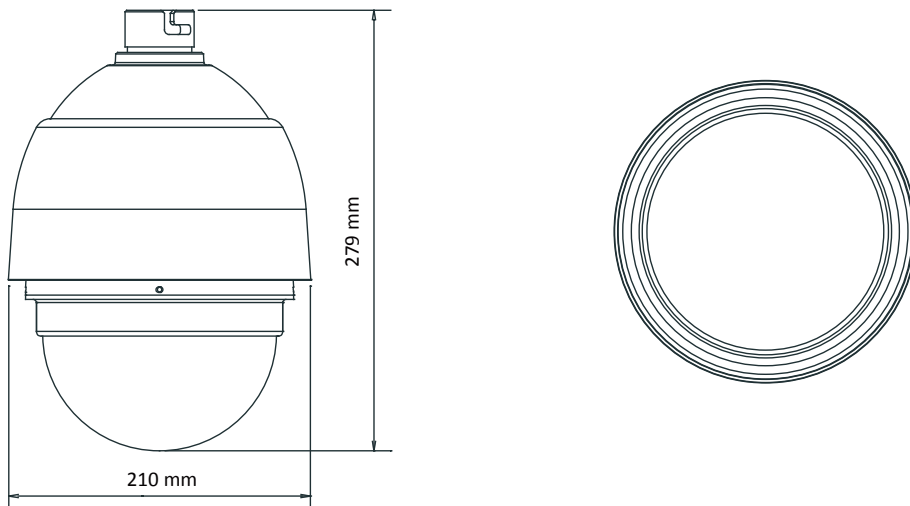
Part Names and Functions

Bottom View



No.	Connector
1	Power Connector (DC12V)
2	Console Connector
3	RJ-45 Port
4	Power Connector (AC24V)
5	BNC
6	Audio/Alarm I/O & RS-485 Connector
7	Reset Button
8	SD Card Slot

Appearance



Ordering Information

Part Number	Description
CAM6871EZ-5-0015	4K PTZ, 22X zoom, autofocus lens, HDR, EIS, H.265 / H.264 / MJPEG, IP66, IK10, Micro SD/SDHC/SDXC Card, RS485, BNC

Optional Accessories

Part Number	Description
ZBracketT2-0010	Tube type bracket for outdoor speed dome
YBBRDCM011G0	Adaptor ring for BracketT2-0010
ZPWR240-0030	Power Supply, AC to DC, 100V-240V input, 30V output