

CAM6471EZ

2 Megapixel 30x Zoom Outdoor Speed Dome Network Camera



- Megapixel SONY Progressive Scan Sensor
- Up to 1920 x 1080 60FPS Video Resolution
- H.264/MJPEG 2 Simultaneous Video Streams
- Motion Detection & Surveon Video Intelligent
- Day/Night Function with IR-Cut Filter
- 30X Optical Zoom and Auto Focus
- IP66 and Wide Temperature for Outdoor Application



Product Specification

Camera	
Image Sensor	1/2.9" megapixel SONY Exmor CMOS
Lens	f4.4 - 132 mm autofocus lens, F1.4 (wide) - F4.7 (tele)
SNR	50dB
WDR	Yes
Day/Night ICR	Yes
IR LED	N/A
Min Illumination	0.009 lux @ F1.4 (B/W) 0.04 lux @ F1.4 (Color)
Iris Control	Automatic / Manual IRIS control
Shutter time	1/1 ~ 1/10,000 s
Viewing Angle	57.02° (Wide); 2.15° (Tele)
Camera Angle Adjustment	Pan: 360° endless, 5°-400°/s Tilt: -10° ~ +190°, 5°-400°/s
Pan/Tilt/Zoom Functionalities	1. 180° Horizontal Instant Flip 2. 256 preset positions 3. Preset position auto scanning 4. 30x optical zoom and 10x digital zoom, total 300x zoom
Video	
Video Compression	H.264 High Profile/H.264/MJPEG
Resolution	Up to 1920 x 1080
Frame Rate	60 fps at 1080P (1920 x 1080) 60 fps at SXGA (1280 x 1024) 60 fps at 720P (1280 x 720) 60 fps at D1 (720 x 480) 60 fps at VGA (640 x 480) 60 fps at QVGA (320 x 240)
Video stream	Dual stream at H.264 and MJPEG simultaneously
Bit Rate	64K ~ 10Mbps, VBR, CBR, controller frame rate and quality
Video Control	AGC (Auto Gain Control), AWB (Auto White Balance), BLC (Back Light Compensation), 2D/3D Noise Reduction, Digital Image Stabilization, Image Defog Feature, Image adjustment, Privacy zone: On/Off (16 zones)
Intelligent video	Motion detection
Video Jack	N/A

Audio	
Built-in MIC	N/A
Audio Compression	G711/G.726
Audio Input/Output	Line In, terminal block
I/O and Event Management	
Alarm In	4, terminal block
Alarm Out	2, terminal block
Video Buffer	N/A
Event Action	Send snapshot or video clip by FTP or email, record to local storage, trigger DO
Network	
Supported Protocols	IPv4/v6, TCP/IP, UDP, RTP, RTSP, HTTP, HTTPS, ICMP, FTP, SMTP, DHCP, PPPoE, UPnP, IGMP, SNMP, QoS, ARP, IEEE 802.1x, ONVIF Profile S, DDNS, NTP, iSCSI
Ethernet	RJ-45, 1Gbps Ethernet
System	
Local Storage	microSDHC x 1
RS-485	N/A
USB	N/A
SDK	Surveon SDK 2.0
Viewing System	
OS	Microsoft Windows 7/8
Browser	IE 8.x or above, Safari, Chrome (via IE Tab)
Software	Surveon VMS 2.5
General	
Temperature	Operation: -40°C ~ 50°C (-40°F ~ 122°F)
Humidity	0 to 90%
Power	802.3at PoE+ (60W) / AC 24V ± 20%
Power Consumption	Max. 25W (w/o Heater) Max. 57W (w/ Heater)
Dimension	ø192mm x 282mm (H) ø7.5" x 11.1" (H)
Weight	Net: 2.32kg / Gross: 3.55kg
Certification	CE / FCC / RoHS / IP66
Warranty	2 years

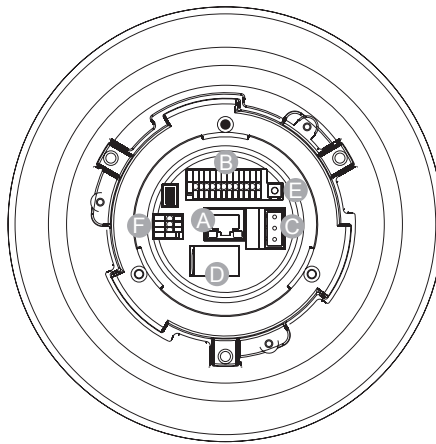
* All specifications are subject to change without notice.
* All brand names and registered trademarks are the property of their respective owners.

CAM6471EZ

2 Megapixel 30x Zoom Outdoor Speed Dome Network Camera

Part Names and Functions

Bottom View

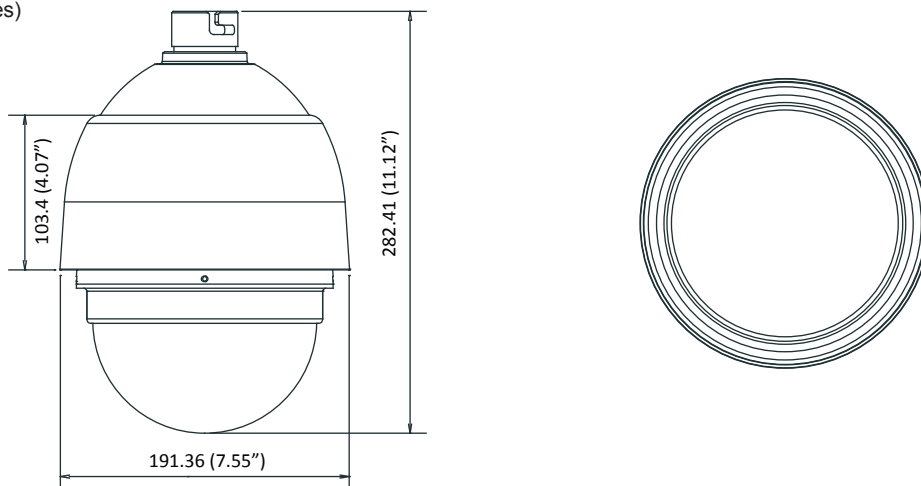


- A RJ-45 Connector
- B ALARM I/O
- C Power
- D microSDHC Card Slot
- E Factory Reset Button
- F Audio I/O

Network Camera

Appearance

Unit:mm(inches)



Package Content

Contents	Quantity
Quick Installation Guide	1
Product DVD	1
CAM6471EZ	1
Decoration Ring	1
Screw Hole Indicator Sticker	1
Anchors and Mounting Screws	3

Optional Accessories

Part Number	Description
ZBracketI2-0010	I type bracket for outdoor speed dome
ZBracketI3-0010	I type bracket for outdoor speed dome
ZBracketT1-0010	Tube type bracket for outdoor speed dome
ZBracketT2-0010	Tube type bracket for outdoor speed dome
ZPWR110-0030	Power Supply, DC, 110V input, 24V output
ZPWR230-0030	Power Supply, DC, 230V input, 24V output

Ordering Information

Part Number	Description
CAM6471EZ	2 Megapixel 30x Zoom Outdoor IP Speed Dome with autofocus lens