

CAM6471EZ-5

3 Megapixel 30x Zoom Outdoor Speed Dome Network Camera



- Megapixel SONY Progressive Scan Sensor
- Up to 2048 x 1536 30FPS Video Resolution
- Electronic Image Stabilizer (EIS)
- H.265/H.264/MJPEG Simultaneous Video Streams
- Motion Detection & Surveon Video Intelligent
- Day/Night Function with IR-Cut Filter
- 30X Optical Zoom and Auto Focus
- IP66, IK10 and Wide Temperature for Outdoor Application
- Triple power support (PoE+ / DC12V/ AC24V)
- BNC Analog Output for installation support
- Support RS-485
- Support Auto Tracking Function (Optional)



Network Camera

Product Specification

Camera	
Image Sensor	1/2.8" megapixel SONY Exmor CMOS
Lens	f4.3-129 mm autofocus lens, F1.6
SNR	50dB
WDR	Yes
EIS	Yes
Day/Night ICR	Yes
IR LED	N/A
Min Illumination	0.002 lux (B/W) 0.04 lux (Color)
Iris Control	Automatic / Manual IRIS control
Shutter time	1/1 ~ 1/10,000 s
Viewing Angle	Horizontal FOV: 62° (wide), 2° (tele) Vertical FOV: 47° (wide), 2° (tele)
Camera Angle Adjustment	Pan: 360° endless, 5°-400°/s Tilt: -10° ~ +190°, 5°-400°/s
Pan/Tilt/Zoom Functionalities	1. 180° Horizontal Instant Flip 2. 256 preset positions 3. Preset position auto scanning 4. 30x optical zoom and 10x digital zoom, total 300x zoom 5. Auto tracking function (optional)
Video	
Video Compression	H.265/H.264/MJPEG
Resolution	Up to 2048 x 1536
Frame Rate	30 fps at 3 MP (2048 x 1536) 60 fps at 1080P (1920 x 1080) 60 fps at SXGA (1280 x 1024) 60 fps at 720P (1280 x 720) 60 fps at D1 (720 x 480) 60 fps at VGA (640 x 480) 60 fps at QVGA (320 x 240)
Video stream	Up to 4 individually configurable streams in H.265/H.264/MJPEG Configurable resolution/frame rate/bandwidth LBR/VBR/CBR in H.265/H.264
Bit Rate	64K ~ 10Mbps, VBR, CBR, controller frame rate and quality
Video Control	AGC (Auto Gain Control), AWB (Auto White Balance), BLC (Back Light Compensation), 2D/3D Noise Reduction, Digital Image Stabilization, Image adjustment, Privacy zone: On/Off (5 zones)

Intelligent video	Motion detection
BNC Support	Yes
Video Jack	N/A
Audio	
Built-in MIC	N/A
Audio Compression	G.711/G.726/AAC/LPCM
Audio In/Out	Line In, terminal block
I/O and Event Management	
Connectors	RJ45, Alarm in x4, Alarm out x2, Terminal Block DC12V , AC24V Terminal Block Audio in, out Terminal Block CVBS Connector, RS485 Terminal Block
Video Buffer	N/A
Event Action	Send snapshot or video clip by FTP or email, record to local storage, trigger DO
Network	
Security	User Authentication/HTTPS/IP Filter/IEEE 802.1X
Supported Protocols	ARP, PPPoE, IPv4/v6, ICMP, IGMP, QoS, TCP, UDP, DHCP, UPnP, SNMP, SMTP, RTP, RTSP, HTTP, HTTPS, FTP, NTP, DDNS
Ethernet	RJ-45, 1Gbps Ethernet
System	
Local Storage	MicroSD/SDXC/SDHC
RS-485	Yes
USB	N/A
SDK	Surveon SDK 2.0
Viewing System	
OS	Microsoft Windows 7/8
Browser	IE 8.x or above, Safari, Chrome (via IE Tab)
Software	Surveon VMS 2.5
General	
Temperature	Operation: -40°C~ 50°C (-40°F~122°F) with heater
Humidity	10 to 90%, No Condensation
Power	802.3at PoE+ / DC 12V / AC 24V
Power Consumption	Max. 25.4W (w/o Heater) Max. 57W (w/ Heater)
Dimension	ø192mm x 282mm (H) ø7.5" x 11.1" (H)
Weight	2.9 Kg
Certification	CE / FCC / RoHS / IP66 / IK10

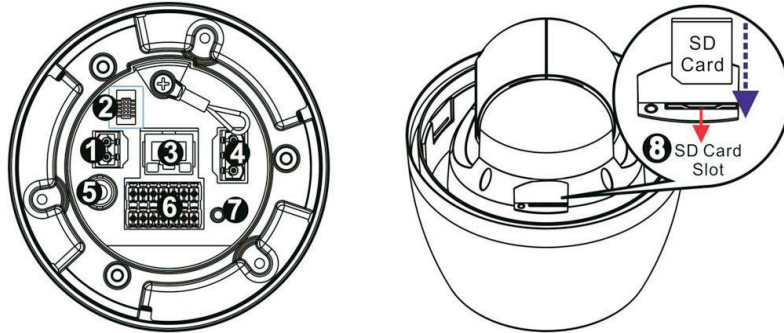
* All specifications are subject to change without notice.
* All brand names and registered trademarks are the property of their respective owners.

CAM6471EZ-5

3 Megapixel 30x Zoom Outdoor Speed Dome Network Camera

Part Names and Functions

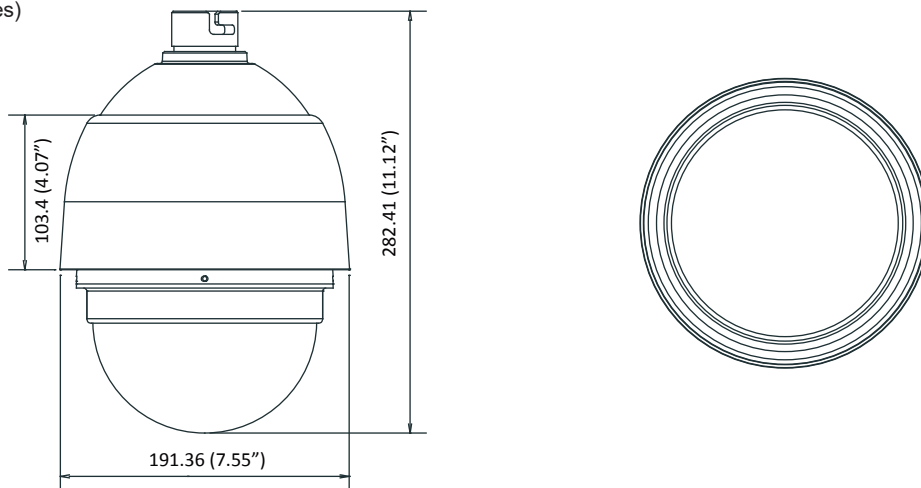
Bottom View



No.	Connector
1	Power Connector (DC12V)
2	Console Connector
3	RJ-45 Port
4	Power Connector (AC24V)
5	BNC
6	Audio/Alarm I/O & RS-485 Connector
7	Reset Button
8	SD Card Slot

Appearance

Unit:mm(inches)



Ordering Information

Part Number	Description
CAM6471EZ-5-0015	3MP, PTZ, 30X zoom autofocus lens, HDR, EIS, H.265 / H.264 / MJPEG, IP66, IK10, Micro SD/SDHC/SDXC Card, RS485, BNC

Optional Accessories

Part Number	Description
ZBracketI2-0010	I type bracket for outdoor speed dome
ZBracketI3-0010	I type bracket for outdoor speed dome
ZBracketT1-0010	Tube type bracket for outdoor speed dome
ZBracketT2-0010	Tube type bracket for outdoor speed dome
ZPWR240-0030	Power Supply, AC to DC, 100V-240V input, 30V output