

# CAM4561LV

## 5 Megapixel 3-Axis Day&Night Outdoor Fixed Dome Network Camera



- Megapixel Progressive Scan Sensor
- Up to 2560 x 1920 Video Resolution
- H.264/MPEG4/MJPEG 2 Simultaneous Video Streams
- Support Surveon Video Intelligence
- Advanced ISP Function (WDR, ROI, Luminance Control, 2D/3D De-noise, Edge Enhancement, Lens Correction)
- PoE (IEEE 802.3af) and Day/Night IR-Cut Filter
- Built-in IR Illuminators, Effective Up to 20 Meters
- IP67 and Vandal Proof for Outdoor Application
- 3-Axis Support



Network Camera

### Product Specification

Camera	
Image Sensor	1/2.5" megapixel progressive scan CMOS
Lens	f3-10.5 mm varifocal lens, F1.4
SNR	48dB
WDR	Yes
Day/Night ICR	Yes
IR LED	Yes(20m)
Min Illumination	0.01 Lux @ F1.4 (B/W), 0.1 Lux @ F1.4 (Color)
Iris Control	Auto Electronic Control
Shutter Time	1/1 ~ 1/1,000,000 s
Viewing Angle	Diagonal: 130°~38°, Horizontal: 108°~32°, Vertical: 58°~18°
Camera Angle Adjustment	Pan 0° ~340° Tilt 20° ~90° Rotate ±110°
Pan/Tilt/Zoom Functionalities	N/A
Video	
Video Compression	H.264/MPEG-4/MJPEG
Resolution	Up to 2560 x 1920
Frame Rate	12 fps at QSXGA (2560 x 1920) 20 fps at QXGA (2048 x 1536) 30 fps at 1080P (1920 x 1080) 30 fps at SXGA (1280 x 1024) 30 fps at 720P (1280 x 720) 30 fps at D1 (720 x 480) 30 fps at VGA (640 x 480) 30 fps at QVGA (320 x 240)
Video Stream	Dual stream at H.264, MPEG-4, and MJPEG simultaneously
Bit Rate	32K ~ 10Mbps, VBR, CBR, controller frame rate and quality
Video Control	AGC (Auto Gain Control), AWB (Auto White Balance), AES (Auto Electronic Shutter), Luminance Control, WDR, 2D/3D De-noise, ROI, Edge Enhancement, Lens Correction, image adjustment
Intelligent Video	Motion detection, tampering detection (blocked, redirected, defocused, or spray-painted)
Video Jack	N/A
Audio	
Built-in MIC	N/A

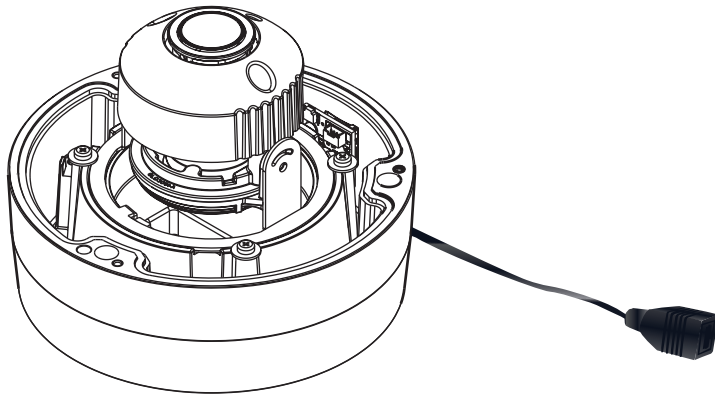
Audio Input/Output	N/A
I/O and Event Management	
Alarm In	N/A
Alarm Out	N/A
Video Buffer	5 second pre-alarm, 30 second post-alarm
Event Action	Send snapshot or video clip by FTP or email, record to NAS, trigger DO
Network	
Supported Protocols	IPv4, IPv6, ARP, TCP, UDP, ICMP, IGMP, DHCP, NTP, DDNS, SMTP, SNMP, FTP, HTTP, HTTPS, CIFS, PPPoE, UPnP, RTP, RTSP, RTCP, 3GPP, ONVIF Profile S, iSCSI
Ethernet	10/100 Base-T / RJ45
System	
Local Storage	microSD/SDHC x 1 (Class 4/Class 6 only)
RS-485	N/A
USB	N/A
SDK	Surveon SDK 2.0
Viewing System	
OS	Microsoft Windows XP/Vista/7
Browser	IE 8.x or above, Safari, Chrome (via IE Tab)
Software	Surveon VMS 2.5
General	
Temperature	Operation: -10°C ~ 50°C (14°F~122°F)
Humidity	5 to 90%
Power	PoE (IEEE 802.3af ) with Class 3
Power Consumption	Max. 8W (w/o Heater)
Dimension	ø130mm x 103mm (H)
Weight	Net: 965g, Gross: 1565g
Certification	Safety: LVD EMC: FCC, CE, IP67, IK10
Warranty	3 years

\* All specifications are subject to change without notice.  
\* All brand names and registered trademarks are the property of their respective owners.

# CAM4561LV

5 Megapixel 3-Axis Day&Night Outdoor Fixed Dome Network Camera

## Part Names and Functions



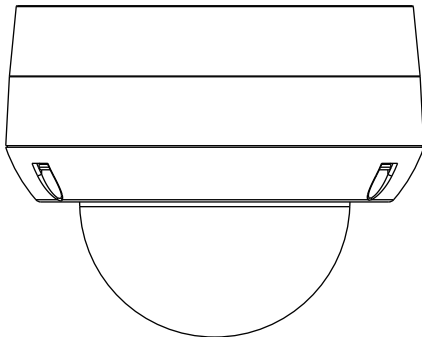
Multiple connector interface cable

- 1 Network connector

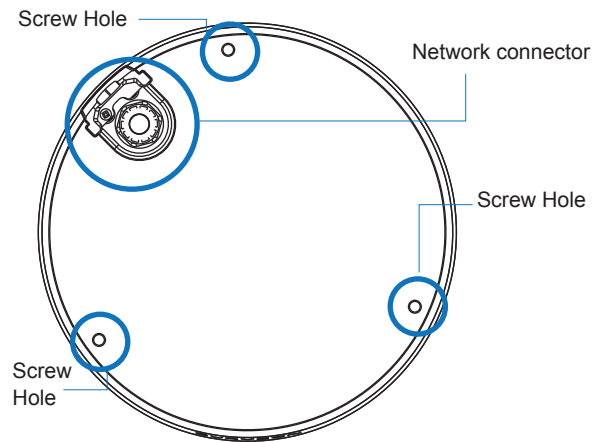
## Appearance

Unit:mm(inches)

Side View



Bottom View



## Package Content

Contents	Quantity
Quick Installation Guide	1
Product DVD	1
CAM4561LV	1
Anchors and Mounting Screws	3

## Ordering Information

Part Number	Description
CAM4561LV	5 Megapixel 3-Axis Day&Night Outdoor Fixed Dome Network Camera with varifocal lens

## Optional Accessories

Part Number	Description
YBPIC0001G0	PoE Injector, 15.4W, 10/100M
ZBracketL2-0050	L-type bracket for 3-axis dome camera