

CAM4371HEV/HEM

2 Megapixel Outdoor Fixed Dome Network Camera



- 2 Megapixel SONY Exmor Sensor
- Up to 1920x1080 60FPS Video Resolution
- H.264/MPEG4/MJPEG Four Simultaneous Video Streams
- Support Surveon Video Intelligence
- MicroSD/SDHC Local Storage for Alarm Capture
- PoE (IEEE 802.3af) and Day/Night ICR
- P-iris & 3x Zoom Auto Focus
- Advanced ISP Function (WDR, ROI, 2D/3D De-noise, Edge Enhancement)
- Built-in IR Illuminators, Effective Up to 30 Meters
- IP66, Wide Temperature, and Vandal Proof for Outdoor Application



Network Camera

Product Specification

Camera	
Image sensor	1/2.9" megapixel SONY Exmor CMOS
Lens	4371HEV: f3-10.5 mm varifocal lens, F1.4 4371HEM: f3-10.5 mm auto focus lens, F1.4
SNR	50dB
WDR	Yes (True WDR 120dB)
Day/Night ICR	Yes
IR LED	Yes (Max. 30M on limited shutter)
Min illumination	0.005 Lux @ F1.4 (B/W) 0.05 Lux @ F1.4 (Color)
Iris control	P-Iris
Shutter time	1/1 ~ 1/10,000 s
Viewing angle	DIAGONAL: 130° ~ 38° HORIZONTAL: 108° ~ 32° VERTICAL: 58° ~ 18°
Camera angle adjustment	Pan 0° ~ 340° Tilt 30° ~ 90°
Pan/tilt/zoom functionalities	N/A
Video	
Video compression	H.264/MPEG-4/MJPEG
Resolution	Up to 1920 x 1080
Frame rate	60 fps at 1080P (1920 x 1080) 60 fps at SXGA (1280 x 1024) 60 fps at HD720 (1280 x 720) 60 fps at D1 (720 x 480) 60 fps at VGA (640 x 480) 60 fps at QVGA (320 x 240)
Video stream	Four streams at H.264, MPEG-4, and MJPEG simultaneously
Bit rate	32K ~ 10Mbps, VBR, CBR, controller frame rate and quality
Video control	AGC (Auto Gain Control), AWB (Auto White Balance), AES (Auto Electronic Shutter), BLC (Back Light Compensation), WDR, 2D/3D De-noise, ROI, Edge Enhancement, image adjustment
Intelligent video	Motion detection, tampering detection (blocked, redirected, defocused, or spray-painted)
Video jack	Yes (BNC, 4371HEV)

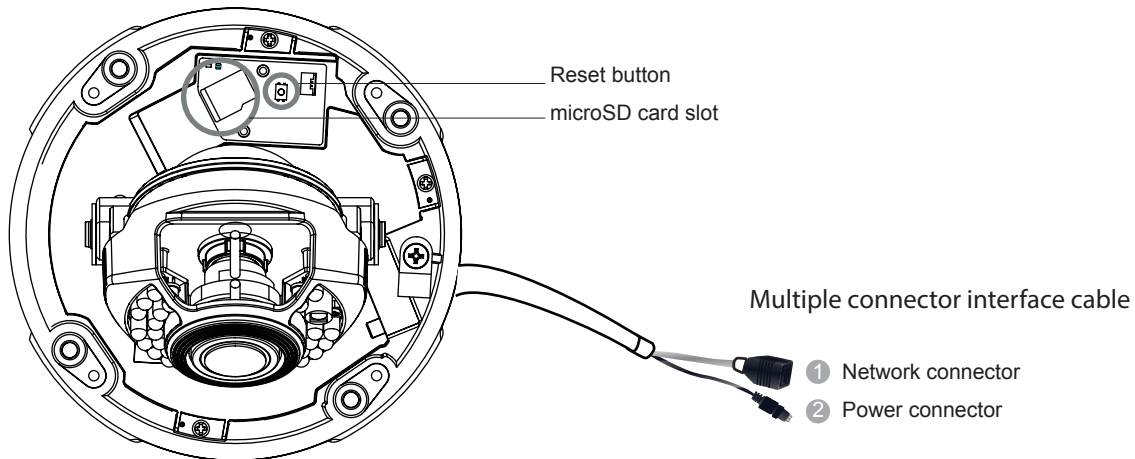
Audio	
Built-in MIC	N/A
Audio compression	16KHz, ADPCM/G.711
Audio input/output	3.5mm phone jack (optional)
I/O and Event Management	
Alarm in	1, terminal block (optional)
Alarm out	1, terminal block (optional)
Video buffer	5 second pre-alarm, 30 second post-alarm
Event action	Send snapshot or video clip by FTP or email, record to NAS, record to local storage, trigger DO
Network	
Supported Protocols	IPv4, IPv6, ARP, TCP, UDP, ICMP, IGMP, DHCP, NTP, DDNS, SMTP, SNMP, FTP, HTTP, HTTPS, CIFS, PPPoE, UPnP, RTP, RTSP, RTCP, 3GPP, ONVIF Profile S, iSCSI
Ethernet	10/100 Base-T / RJ45
System	
Local storage	microSD/SDHC x 1
RS-485	N/A
USB	N/A
SDK	Surveon SDK 2.0
Viewing System	
OS	Microsoft Windows 7/8
Browser	IE 8.x or above, Safari, Chrome (via IE Tab)
Software	Surveon VMS 2.5
General	
Temperature	Operation: -40°C ~ 50°C (-40°F ~ 122°F)
Humidity	5 to 90%
Power	12VDC 1.5A ; PoE (IEEE 802.3af) with Class 3
Power consumption	Max. 10.2W (w/ PoE & Heater off) Max. 17W (w/ DC Power & Heater on)
Dimension	ø144mm x 116mm (H) ø5.67" x 4.57"(H)
Weight	Net: 1,260g (2.78lb.) Gross: 1,930g (4.27lb.)
Certification	Safety: LVD EMC: FCC, CE, IP66, IK10
Warranty	3 years

* All specifications are subject to change without notice.
* All brand names and registered trademarks are the property of their respective owners.

CAM4371HEV/HEM

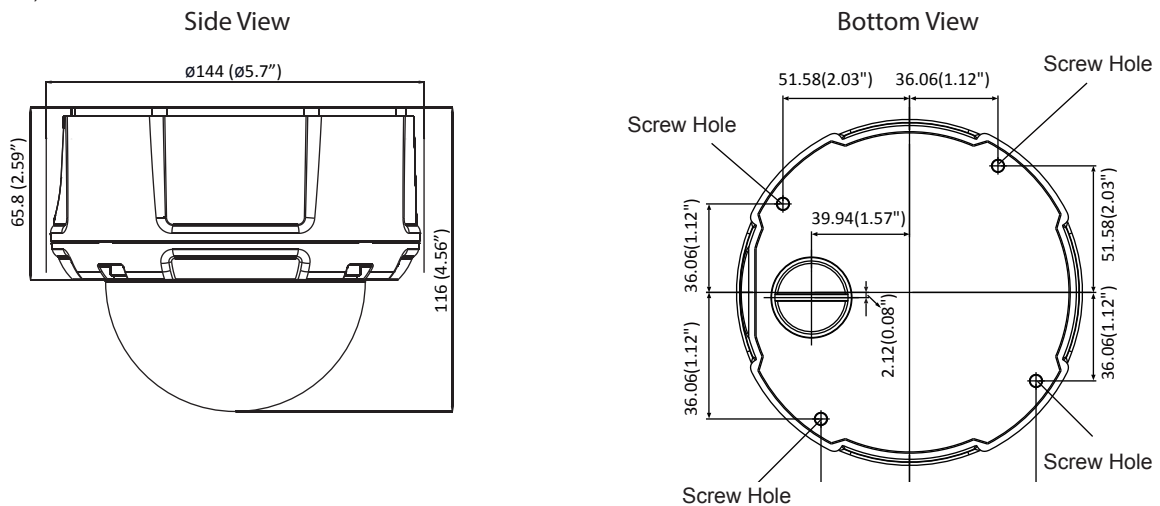
2 Megapixel Outdoor Fixed Dome Network Camera

Part Names and Functions



Appearance

Unit:mm(inches)



Package Content

Contents	Quantity
Quick Installation Guide	1
Product DVD	1
CAM4371HEV/CAM4371HEM	1
Screw Hole Indicator Sticker	1
Anchors and Mounting Screws	4
L Type Hexagon Spanner	1

Ordering Information

Part Number	Description
CAM4371HEV-0015	2 megapixel True WDR day&night outdoor fixed dome network camera with varifocal P-iris lens
CAM4371HEM-0015	2 megapixel True WDR day&night outdoor fixed dome network camera with motorized P-iris lens

Optional Accessories

Part Number	Description
ZPWR18W-0030	Power Adapter, 12VDC, 1.5A; 18W
ZBracketL-0050	L type bracket