

CAM4371EM-5

2 Megapixel 30M IR Autofocus Day/Night Outdoor Fixed Dome Network Camera



- 2 Megapixel Progressive Scan Sensor
- Up to 1920 x 1080 Video Resolution
- H.265/H.264/MJPEG Triple Simultaneous Streams
- Power over Ethernet (IEEE 802.3af)
- Auto Day/Night Function with IR-Cut Filter
- f2.8-12 mm Auto Focus Zoom Lens
- Advanced ISP Function (HLC, WDR, ROI, 2D/3D De-noise, Defog, Privacy Mask)
- Built-in IR Illuminators, Effective Up to 30 Meters
- IP67, Vandal Proof and Wide Temperature for Outdoor Application
- 3-Axis Support
- Corridor Mode Support



Network Camera

Product Specification

| Camera | |
|-------------------------------|--|
| Image Sensor | 1/2.9" megapixel progressive scan CMOS |
| Lens | f2.8-12 mm auto focus lens, F1.4 |
| SNR | 52dB |
| WDR | Yes (120dB) |
| Day/Night ICR | Yes |
| IR LED | Yes (30M) |
| Min Illumination | 0.01 Lux @ F1.4 (Color) 0 Lux with IR on |
| Iris Control | Auto Electronic Control |
| Shutter time | 1/6 ~ 1/100000 s |
| Viewing Angle | (H) 107.8°~26.3° (V) 56.7°~14.4° (O) 140.2°~32.3° |
| Camera Angle Adjustment | 3-Axis |
| Pan/Tilt/Zoom Functionalities | N/A |
| Video | |
| Video Compression | H.265, H.264, MJPEG |
| Resolution | Up to 1920 x 1080 |
| Frame Rate | 30 fps at 1080P (1920 x 1080) 30 fps at SXGA (1280 x 1024) 30 fps at HD720 (1280 x 720) 30 fps at D1 (720 x 480) 30 fps at VGA (640 x 480) 30 fps at QVGA (320 x 240) |
| Video stream | Triple streams at H.265, H.264, and MJPEG simultaneously |
| Bit Rate | 32K ~ 10Mbps, VBR, CBR, controller frame rate and quality |
| Video Control | AGC (Auto Gain Control), BLC (Back Light Compensation), HLC (High Light Compensation), 2D/3D Noise Reduction, Defog, Privacy Mask, ROI, image adjustment |
| Video Analytics | Camera Motion Detection |
| Video Jack | Yes (BNC) |
| 9:16 Corridor Mode | Yes |

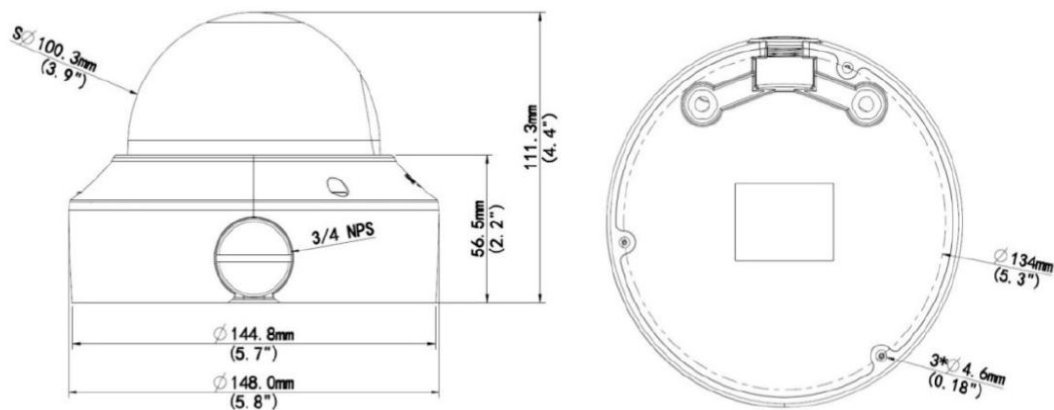
| Audio | |
|--------------------------|--|
| Built-in MIC | N/A |
| Audio Compression | 8KHz, G.711 |
| Audio Input/Output | impedance 35 kΩ; amplitude 2 V |
| I/O and Event Management | |
| Alarm In | 1, terminal block |
| Alarm Out | 1, terminal block |
| Video Buffer | N/A |
| Event Action | Tampering Alarm, Alarm input, Alarm output |
| Network | |
| Supported Protocols | IPv4, IGMP, ICMP, ARP, TCP, UDP, DHCP, PPPoE, RTP, RTSP, RTCP, DNS, DDNS, NTP, FTP, UPnP, HTTP, HTTPS, SMTP, 802.1x, SNMP, ONVIF (Profile S) |
| Ethernet | 10M/100M Base-T / RJ45 |
| System | |
| Local Storage | Micro SD, up to 128 GB |
| RS-485 | N/A |
| USB | N/A |
| SDK | HTTP API |
| General | |
| Temperature | Operation: -40°C ~ +60°C (-40°F ~ 140°F) |
| Humidity | 10%~90% RH |
| Power | 12V DC, PoE (IEEE802.3 af) |
| Power Consumption | Max 7.2W |
| Dimension | Φ148 x 111.3 mm (Ø5.8" x 4.4") |
| Weight | 0.75 kg (1.7 lb) |
| Certification | CE, IP67, IK10 |
| Warranty | 2 years |

* All specifications are subject to change without notice.
* All brand names and registered trademarks are the property of their respective owners.

CAM4371EM-5

2 Megapixel 30M IR Autofocus Day/Night
Outdoor Fixed Dome Network Camera

Dimensions



Network Camera

Ordering Information

| Part Number | Description |
|------------------|--|
| CAM4371EM-5-0015 | 2 Megapixel Day/Night IR Vandal Resistant Dome Network Camera with Motorized Zoom Lens |

Optional Accessories

| Part Number | Description |
|--------------|---------------------------------|
| ZPWR18W-0030 | Power Adapter, 12VDC, 1.5A; 18W |
| YBPIC0001G0 | PoE Injector, 15.4W, 10/100M |