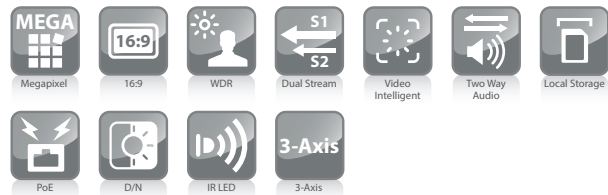


# CAM4361RV/LV

## 2 Megapixel 3-Axis Day&Night Outdoor Fixed Dome Network Camera



- Megapixel Progressive Scan Sensor
- Up to 1920 x 1080 Video Resolution
- H.264/MPEG4/MJPEG 2 Simultaneous Video Streams
- Support Surveon Video Intelligence
- Advanced ISP Function (WDR, ROI, Luminance Control, 2D/3D De-noise, Edge Enhancement, Lens Correction)
- PoE (IEEE 802.3af) and Day/Night IR-Cut Filter
- Built-in IR Illuminators, Effective Up to 20 Meters
- IP67 and Vandal Proof for Outdoor Application
- 3-Axis Support



Network Camera

### Product Specification

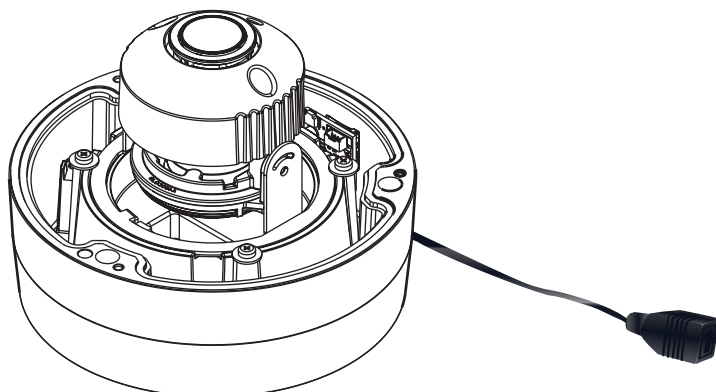
Camera		Audio Input/Output	
Image Sensor	1/2.9" megapixel SONY Exmor CMOS	Audio Input/Output	N/A
Lens	f2.8-12 mm varifocal lens, F1.4	I/O and Event Management	
SNR	48dB	Alarm In	N/A
WDR	Yes	Alarm Out	N/A
Day/Night ICR	Yes	Video Buffer	5 second pre-alarm, 30 second post-alarm
IR LED	CAM4361RV: N/A CAM4361LV: Yes(20m)	Event Action	Send snapshot or video clip by FTP or email, record to NAS, trigger DO
Min Illumination	0.01 Lux @ F1.4 (B/W), 0.1 Lux @ F1.4 (Color)	Network	
Iris Control	Auto Electronic Control	Supported Protocols	IPv4, IPv6, ARP, TCP, UDP, ICMP, IGMP, DHCP, NTP, DDNS, SMTP, SNMP, FTP, HTTP, HTTPS, CIFS, PPPoE, UPnP, RTP, RTSP, RTCP, 3GPP, ONVIF Profile S, iSCSI
Shutter Time	1/1 ~ 1/1,000,000 s	Ethernet	10/100 Base-T / RJ45
Viewing Angle	Diagonal: 138°~40°, Horizontal: 95.5°~30.8°, Vertical: 79°~23.3°	System	
Camera Angle Adjustment	Pan 0° ~340° Tilt 20° ~90° Rotate ±110°	Local Storage	microSD/SDHC x 1 (Class 4/Class 6 only)
Pan/Tilt/Zoom Functionalities	N/A	RS-485	N/A
		USB	N/A
		SDK	Surveon SDK 2.0
Video		Viewing System	
Video Compression	H.264/MPEG-4/MJPEG	OS	Microsoft Windows XP/Vista/7
Resolution	Up to 1920 x 1080	Browser	IE 8.x or above, Safari, Chrome (via IE Tab)
Frame Rate	30 fps at 1080P (1920 x 1080) 30 fps at SXGA (1280 x 1024) 30 fps at HD720 (1280 x 720) 30 fps at D1 (720 x 480) 30 fps at VGA (640 x 480) 30 fps at QVGA (320 x 240)	Software	Surveon VMS 2.5
Video Stream	Dual stream at H.264, MPEG-4, and MJPEG simultaneously	General	
Bit Rate	32K ~ 10Mbps, VBR, CBR, controller frame rate and quality	Temperature	Operation: -10°C ~ 50°C (14°F~122°F)
Video Control	AGC (Auto Gain Control), AWB (Auto White Balance), AES (Auto Electronic Shutter), Luminance Control, WDR, 2D/3D De-noise, ROI, Edge Enhancement, Lens Correction, image adjustment	Humidity	5 to 90%
Intelligent Video	Motion detection, tampering detection (blocked, redirected, defocused, or spray-painted)	Power	PoE (IEEE 802.3af) with Class 3
Video Jack	N/A	Power Consumption	Max. 7W (w/o Heater)
Audio		Dimension	ø130mm x 103mm (H)
Built-in MIC	N/A	Weight	Net: 965g, Gross: 1565g
Audio Compression	N/A	Certification	Safety: LVD EMC: FCC, CE, IP67,IK10
		Warranty	3 years

\* All specifications are subject to change without notice.  
\* All brand names and registered trademarks are the property of their respective owners.

# CAM4361RV/LV

2 Megapixel 3-Axis Day&Night  
Outdoor Fixed Dome Network Camera

## Part Names and Functions



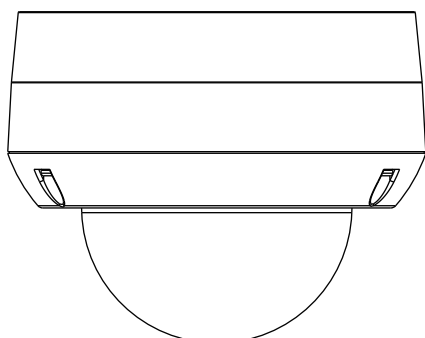
Multiple connector interface cable

- 1 Network connector

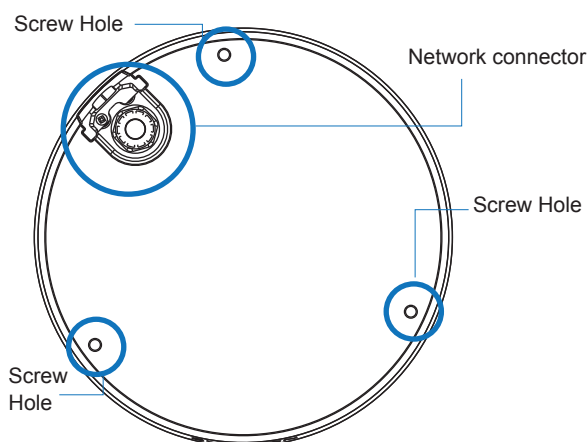
## Appearance

Unit:mm(inches)

Side View



Bottom View



## Package Content

Contents	Quantity
Quick Installation Guide	1
Product DVD	1
CAM4361RV/ CAM4361LV	1
Anchors and Mounting Screws	3

## Ordering Information

Part Number	Description
CAM4361RV/ CAM4361LV	2 Megapixel 3-Axis Day&Night Outdoor Fixed Dome Network Camera with varifocal lens

## Optional Accessories

Part Number	Description
YBPIC0001G0	PoE Injector, 15.4W, 10/100M
ZBracketL2-0050	L-type bracket for 3-axis dome camera