

CAM4311

Full HD Day&Night Fixed Dome Network Camera



- Full HD & Real Time Network Camera
- Up to 1920 x 1080 Video Resolution
- H.264/MPEG4/MJPEG 2 Simultaneous Video Streams
- Surveon Video Intelligent Ready
- MicroSD/SDHC Local Storage for Alarm Capture
- Power over Ethernet (IEEE 802.3af)
- Day/Night Function with IR-Cut Filter
- Built-in IR Illuminators, Effective Up to 10 Meters



Product Specification

Camera	
Image Sensor	1/2.7" 2 megapixel progressive scan CMOS
Lens	4.0 mm, F2.0
SNR	48dB
WDR	Yes
Day/Night ICR	Yes
IR LED	Yes (Max 10M)
Min Illumination	0.01 Lux @ F2.0 (B/W) 0.1 Lux @ F2.0 (Color)
Iris Control	Fixed
Shutter Time	1/2 ~ 1/50,000 s
Viewing Angle	Diagonal: 101.7° Horizontal: 87.7° Vertical: 48°
Camera Angle Adjustment	Pan 0° ~340° Tilt 30° ~90°
Pan/Tilt/Zoom Functionalities	N/A
Video	
Video Compression	H.264/MPEG-4/MJPEG
Resolution	Up to 1920 x 1080
Frame Rate	30 fps at 1080P (1920 x 1080) 30 fps at SXGA (1280 x 1024) 30 fps at HD720 (1280 x 720) 30 fps at D1 (720 x 480) 30 fps at VGA (640 x 480) 30 fps at QVGA (320 x 240)
Video Stream	Dual stream at H.264, MPEG-4, and MJPEG simultaneously
Bit Rate	64K ~ 10Mbps, VBR, CBR, controller frame rate and quality
Video Control	AGC (Auto Gain Control), AWB (Auto White Balance), AES (Auto Electronic Shutter), BLC (Back Light Compensation), image adjustment
Intelligent Video	Motion detection, tampering detection (blocked, redirected, defocused, or spray-painted)
Video Jack	N/A
Audio	
Built-in MIC	N/A

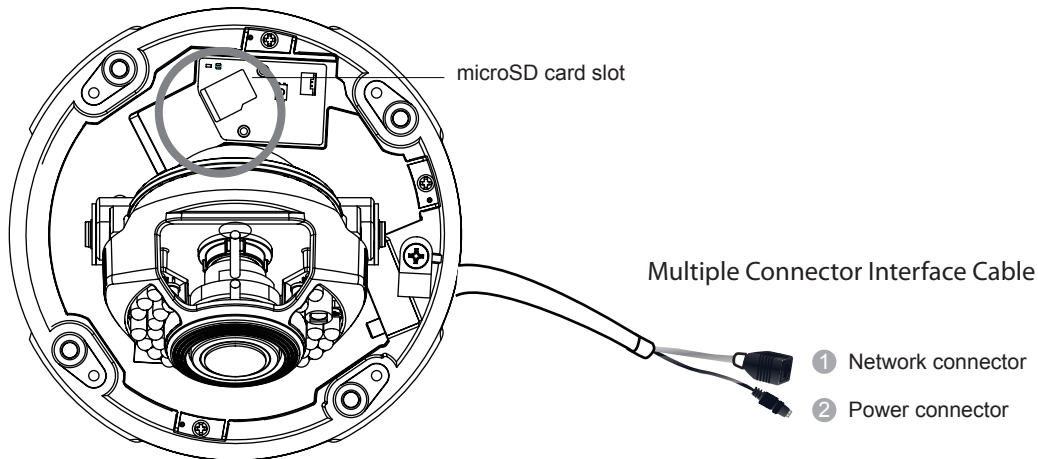
Audio Compression	16KHz, ADPCM/G.711
Audio Input/Output	3.5mm phone jack (optional)
I/O and Event Management	
Alarm In	1, terminal block (optional)
Alarm Out	1, terminal block (optional)
Video Buffer	5 second pre-alarm, 30 second post-alarm
Event Action	Send snapshot or video clip by FTP or email, record to NAS, record to local storage, trigger DO
Network	
Supported Protocols	IPv4, ARP, TCP, UDP, ICMP, IGMP, DHCP, NTP, DDNS, SMTP, FTP, HTTP, CIFS, PPPoE, UPnP, RTP, RTSP, RTCP, 3GPP, ONVIF
Ethernet	10/100 Base-T / RJ45
System	
Local Storage	microSD/SDHC x 1 (Class 4/Class 6 only)
RS-485	N/A
USB	N/A
SDK	Surveon SDK 2.0
Viewing System	
OS	Microsoft Windows XP/Vista/7
Browser	Microsoft IE 6.0 or above
Software	Surveon VMS 2.4.7
General	
Temperature	Operation: -10°C ~ 50°C (14°F ~ 122°F) Storage: -30°C ~ 60°C (-22°F ~ 140°F)
Humidity	5 to 90%
Power	12VDC 1.5A ; PoE (IEEE 802.3af) with Class 3
Power Consumption	Max. 7W
Dimension	ø128.8mm x 98.6mm (H) ø5.07" x 3.88"(H)
Weight	Net: 620g (1.37lb.) Gross: 1290g (2.85lb.)
Certification	Safety: LVD EMC: FCC, CE, GOST, KCC

* All specifications are subject to change without notice.
* All brand names and registered trademarks are the property of their respective owners.

CAM4311

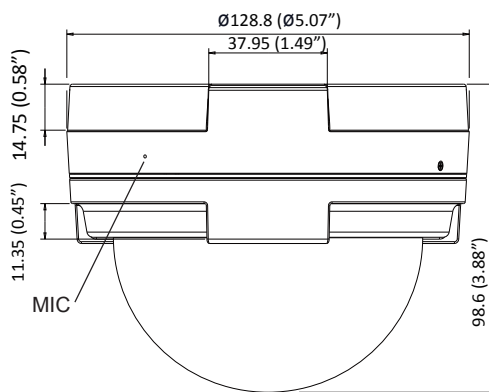
Full HD Day&Night Fixed Dome Network Camera

Part Names and Functions

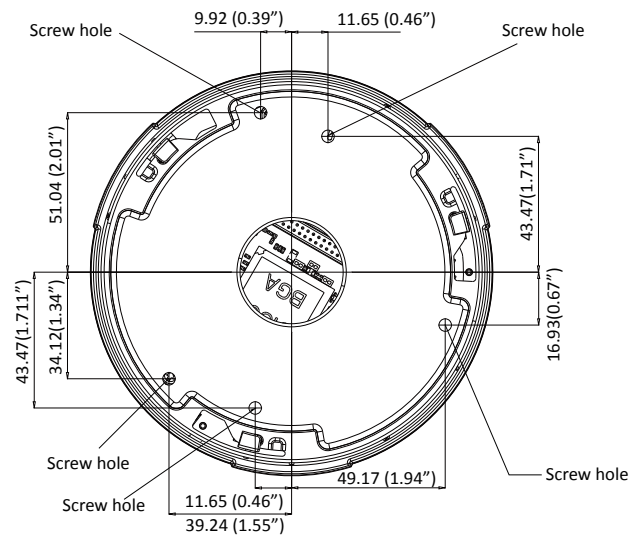


Appearance

Unit:mm(inches) Side View



Bottom View



Package Content

Contents	Quantity
Quick Installation Guide	1
Product DVD	1
CAM4311	1
Screw Hole Indicator Sticker	1
Anchors and Mounting Screws	3

Ordering Information

Part Number	Description
CAM4311-0055	Full HD day&night Fixed Dome network camera with f4.0 mm, F2.0 lens
CAM4311-0050	Full HD day&night Fixed Dome network camera with f4.0 mm, F2.0 lens & Audio/DIDO cable

Optional Accessories

Part Number	Description
ZPWR18W-0030	Power Adapter
ZBracketL-0050	L type bracke