

CAM4211

Megapixel Day&Night 3-Axis Fixed Dome Network Camera



- Megapixel Progressive Scan Sensor
- Up to 1280 x 800 Video Resolution
- H.264/MJPEG 2 Simultaneous Video Streams
- Support Surveon Video Intelligence
- MicroSD/SDHC Local Storage for Alarm Capture
- Power over Ethernet (IEEE 802.3af)
- Day/Night Function with IR-Cut Filter
- Built-in IR Illuminators, Effective Up to 10 Meters
- 3-Axis Support



Product Specification

Camera	
Image Sensor	1/4" megapixel progressive scan CMOS
Lens	f2.8 mm, F1.8
SNR	48dB
WDR	Yes
Day/Night ICR	Yes
IR LED	Yes (10M)
Min Illumination	0.01 Lux @ F1.8 (B/W) 0.1 Lux @ F1.8 (Color)
Iris Control	Fixed
Shutter time	1/2 ~ 1/50,000 s
Viewing Angle	Diagonal: 92° Horizontal: 79° Vertical: 49°
Camera Angle Adjustment	Pan 0° ~340° Tilt 20° ~90° Rotate ±170°
Pan/Tilt/Zoom Functionalities	N/A
Video	
Video Compression	H.264/MJPEG
Resolution	Up to 1280 x 800
Frame Rate	30 fps at WXGA (1280 x 800) 30 fps at HD720 (1280 x 720) 30 fps at D1 (720 x 480) 30 fps at VGA (640 x 480) 30 fps at QVGA (320 x 240)
Video Stream	Dual stream at H.264 and MJPEG simultaneously
Bit Rate	32K ~ 10Mbps, VBR, CBR, controller frame rate and quality
Video Control	AGC (Auto Gain Control), AWB (Auto White Balance), AES (Auto Electronic Shutter), image adjustment
Intelligent Video	Motion detection, tampering detection (blocked, redirected, defocused, or spray-painted)
Video Jack	N/A
Audio	
Built-in MIC	Yes

Audio Compression	16KHz, ADPCM/G.711
Audio Input/Output	3.5mm phone jack (optional)
I/O and Event Management	
Alarm In	1, terminal block (optional)
Alarm Out	1, terminal block (optional)
Video Buffer	5 second pre-alarm, 5 second post-alarm
Event Action	Send snapshot or video clip by FTP or email, record to NAS, record to local storage, trigger DO
Network	
Supported Protocols	IPv4, IPv6, ARP, TCP, UDP, ICMP, IGMP, DHCP, NTP, DDNS, SMTP, FTP, HTTP, HTTPS, CIFS, PPPoE, UPnP, RTP, RTSP, RTCP, 3GPP, ONVIF Profile S, iCSI
Ethernet	10/100 Base-T / RJ45
System	
Local Storage*	microSD/SDHC x 1 (Class 4/Class 6 only)
RS-485	N/A
USB	N/A
SDK	Surveon SDK 2.0
Viewing System	
OS	Microsoft Windows XP/Vista/7
Browser	IE 8.x or above, Safari, Chrome (via IE Tab)
Software	Surveon VMS 2.5
General	
Temperature	Operation: -10°C ~ 50°C (14°F~122°F)
Humidity	5 to 90%
Power	12VDC 1.5A ; PoE (IEEE 802.3af) with Class 3
Power Consumption	Max. 7W
Dimension	ø110mm x 100mm (H)
Weight	Net: 345g Gross: 585g
Certification	Safety: LVD EMC: FCC, CE
Warranty	3 years

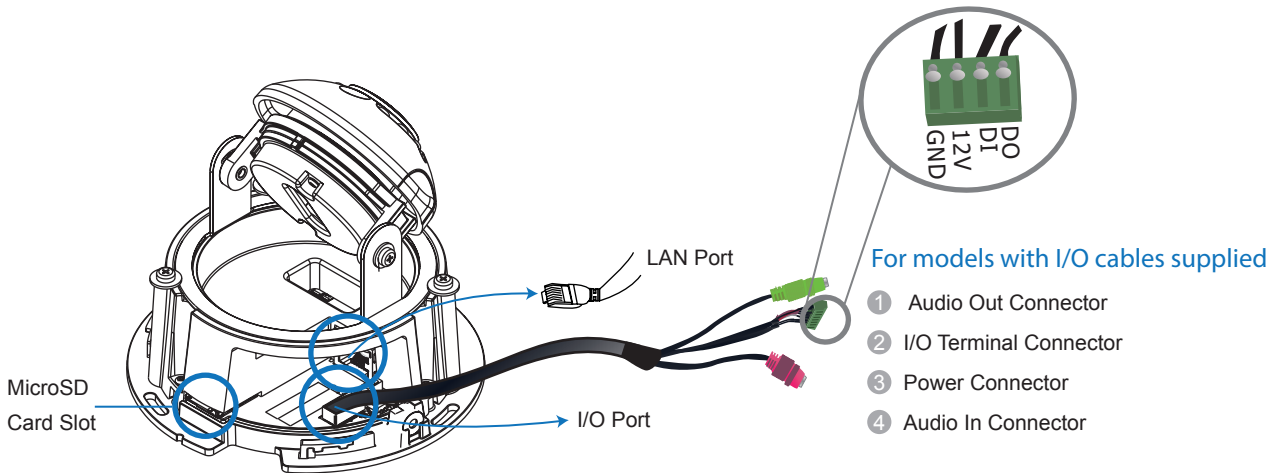
*Offline recording is not supported.

* All specifications are subject to change without notice.
* All brand names and registered trademarks are the property of their respective owners.

CAM4211

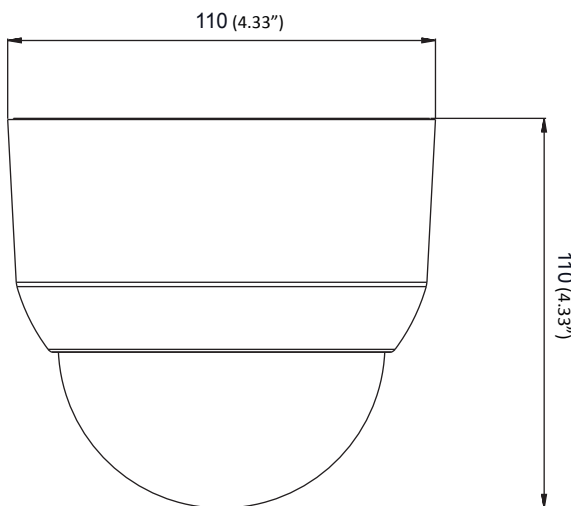
Megapixel Day&Night 3-Axis Fixed Dome Network Camera

Part Names and Functions

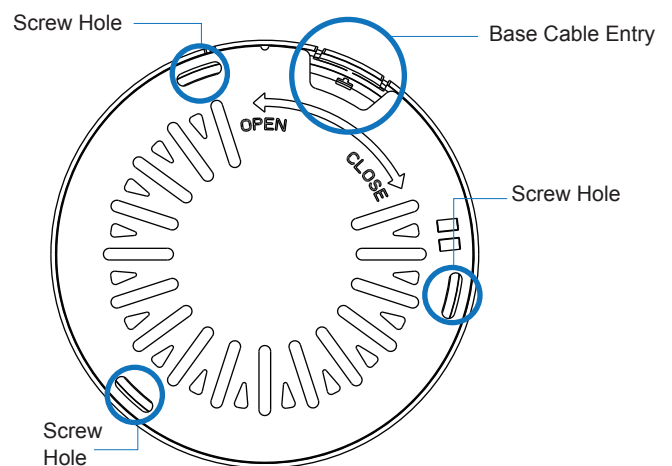


Appearance

Unit:mm(inches) Side View



Bottom View



Package Content

Contents	Quantity
Quick Installation Guide	1
Product DVD	1
CAM4211	1
Anchors and Mounting Screws	3

Ordering Information

Part Number	Description
CAM4211-0015	Megapixel day&night 3-Axis Fixed Dome network camera with f2.8 mm, F1.8 lens
CAM4211-0010	Megapixel day&night 3-Axis Fixed Dome network camera with f2.8 mm, F1.8 lens & Audio/DIDO cable

Optional Accessories

Part Number	Description
ZPWR18W-0030	Power Adapter, 12VDC, 1.5A; 18W
YBPIC0001G0	PoE Injector, 15.4W, 10/100M
ZCABLEEXT1-0030	Cable, Audio in/out, DI/DO
ZBracketL2-0050	L-type bracket for 3-axis dome camera