

# CAM3371EM-5

## 2 Megapixel 50M IR Autofocus Day/Night Outdoor Bullet Network Camera



- 2 Megapixel Progressive Scan Sensor
- Up to 1920 x 1080 Video Resolution
- H.265/H.264/MJPEG Triple Simultaneous Streams
- Power over Ethernet (IEEE 802.3af)
- Auto Day/Night Function with IR-Cut Filter
- f2.8-12 mm Auto Focus Zoom Lens
- Advanced ISP Function (HLC, WDR, ROI, 2D/3D De-noise, Defog, Privacy Mask)
- Built-in IR Illuminators, Effective Up to 50 Meters
- IP67 and Wide Temperature for Outdoor Application
- Corridor Mode Support



Network Camera

### Product Specification

Camera	
Image Sensor	1/2.9" megapixel progressive scan CMOS
Lens	f2.8-12 mm auto focus lens, F1.4
SNR	52dB
WDR	Yes (120dB)
Day/Night ICR	Yes
IR LED	Yes (50M)
Min Illumination	0.01 Lux @ F1.4 (Color) 0 Lux with IR on
Iris Control	Auto Electronic Control
Shutter time	1/6 ~ 1/100000 s
Viewing Angle	Horizontal: 94.0° ~28°
Camera Angle Adjustment	N/A
Pan/Tilt/Zoom Functionalities	N/A
Video	
Video Compression	H.265, H.264, MJPEG
Resolution	Up to 1920 x 1080
Frame Rate	30 fps at 1080P (1920 x 1080) 30 fps at SXGA (1280 x 1024) 30 fps at HD720 (1280 x 720) 30 fps at D1 (720 x 480) 30 fps at VGA (640 x 480) 30 fps at QVGA (320 x 240)
Video stream	Triple streams at H.265, H.264, and MJPEG simultaneously
Bit Rate	32K ~ 10Mbps, VBR, CBR, controller frame rate and quality
Video Control	AGC (Auto Gain Control), BLC (Back Light Compensation), HLC (High Light Compensation), 2D/3D Noise Reduction, Defog, Privacy Mask, ROI, image adjustment
Video Analytics	Camera Motion Detection
Video Jack	N/A
9:16 Corridor Mode	Yes

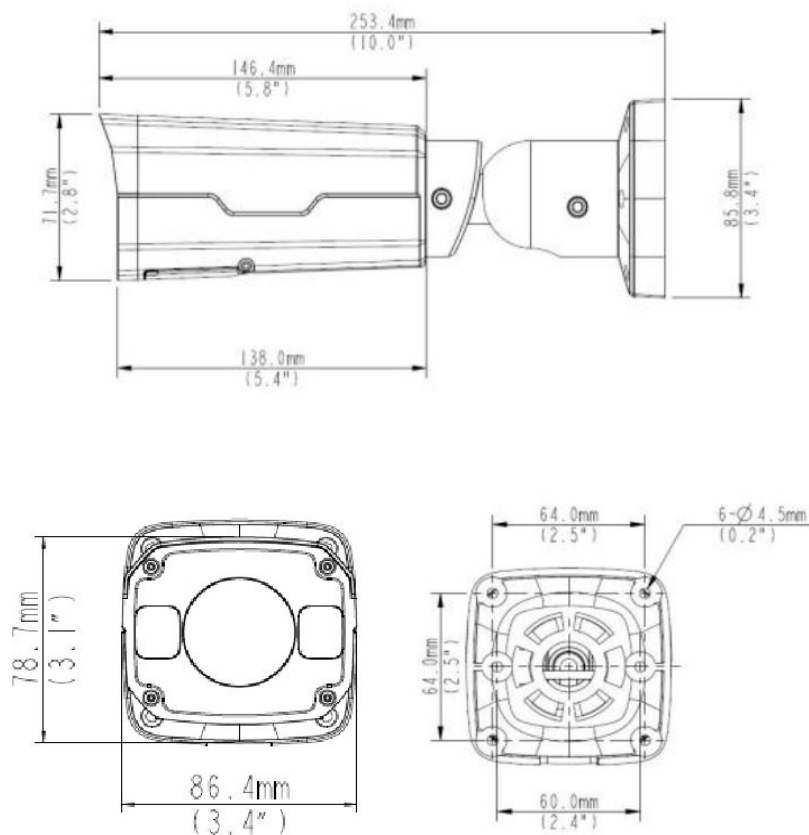
Audio	
Built-in MIC	N/A
Audio Compression	8KHz, G.711
Audio Input/Output	impedance 35 kΩ; amplitude 2 V
I/O and Event Management	
Alarm In	1, terminal block
Alarm Out	1, terminal block
Video Buffer	N/A
Event Action	Tampering Alarm, Alarm input, Alarm output
Network	
Supported Protocols	IPv4, IGMP, ICMP, ARP, TCP, UDP, DHCP, PPPoE, RTP, RTSP, RTCP, DNS, DDNS, NTP, FTP, UPnP, HTTP, HTTPS, SMTP, 802.1x, SNMP, ONVIF (Profile S)
Ethernet	10M/100M Base-T / RJ45
System	
Local Storage	Micro SD, up to 128 GB
RS-485	N/A
USB	N/A
SDK	HTTP API
General	
Temperature	Operation: -35°C ~ +60°C (-31°F ~ 140°F)
Humidity	10%~95% RH
Power	12V DC, PoE (IEEE802.3 af)
Power Consumption	Max 9W
Dimension	86 x 71.7 x 253.4 mm (3.4" x 2.8" x 9.98")
Weight	0.58kg (1.28lb)
Certification	CE, IP67
Warranty	2 years

\* All specifications are subject to change without notice.  
\* All brand names and registered trademarks are the property of their respective owners.

# CAM3371EM-5

2 Megapixel 50M IR Autofocus Day/Night Outdoor Bullet Network Camera

## Dimensions



Network Camera

## Ordering Information

Part Number	Description
CAM3371EM-5-0015	2 Megapixel Day/Night IR Bullet Network Camera with Motorized Zoom Lens

## Optional Accessories

Part Number	Description
ZPWR18W-0030	Power Adapter, 12VDC, 1.5A; 18W
YBPIC0001G0	PoE Injector, 15.4W, 10/100M