

CAM3361LV

2 Megapixel Day&Night Outdoor Bullet Network Camera



- Megapixel SONY Exmor Sensor
- Up to 1920 x 1080 Video Resolution
- H.264/MPEG4/MJPEG 2 simultaneous Video Streams
- Surveon Video Intelligent Ready
- MicroSD/SDHC Local Storage for Alarm Capture
- Advanced ISP Function (WDR, ROI, Luminance Control, 2D/3D De-noise, Edge Enhancement, Lens Correction)
- PoE (IEEE 802.3af) and Day/Night IR-Cut Filter
- Built-in IR Illuminators, Effective Up to 20 Meters
- IP66 for Outdoor Application



Product Specification

Camera	
Image Sensor	1/2.9" megapixel SONY Exmor CMOS
Lens	f3-10.5 mm varifocal lens, F1.4
SNR	48dB
WDR	70dB
Day/Night ICR	Yes
IR LED	Yes(20m)
Min Illumination	0.01 Lux @ F1.4 (B/W), 0.1 Lux @ F1.4 (Color)
Iris Control	Auto Electronic Control
Shutter Time	1/1 ~ 1/1,000,000 s
Viewing Angle	Diagonal: 130°~38°, Horizontal: 108°~32°, Vertical: 58°~18°
Camera Angle Adjustment	N/A
Pan/Tilt/Zoom Functionalities	N/A
Video	
Video Compression	H.264/MPEG-4/MJPEG
Resolution	Up to 1920 x 1080
Frame Rate	30 fps at 1080P (1920 x 1080) 30 fps at SXGA (1280 x 1024) 30 fps at HD720 (1280 x 720) 30 fps at D1 (720 x 480) 30 fps at VGA (640 x 480) 30 fps at QVGA (320 x 240)
Video Stream	Dual stream at H.264, MPEG-4, and MJPEG simultaneously
Bit Rate	32K ~ 10Mbps, VBR, CBR, controller frame rate and quality
Video Control	AGC (Auto Gain Control), AWB (Auto White Balance), AES (Auto Electronic Shutter), Luminance Control, WDR, 2D/3D De-noise, ROI, Edge Enhancement, Lens Correction, image adjustment
Intelligent Video	Motion detection, tampering detection (blocked, redirected, defocused, or spray-painted)
Video Jack	N/A
Audio	
Built-in MIC	N/A
Audio Compression	N/A
Audio Input/Output	N/A

I/O and Event Management

Alarm In	N/A
Alarm Out	N/A
Video Buffer	5 second pre-alarm, 30 second post-alarm
Event Action	Send snapshot or video clip by FTP or email, record to NAS, record to local storage, trigger DO

Network

Supported Protocols	IPv4, IPv6, ARP, TCP, UDP, ICMP, IGMP, DHCP, NTP, DDNS, SMTP, SNMP, FTP, HTTP, HTTPS, CIFS, PPPoE, UPnP, RTP, RTSP, RTCP, 3GPP, iSCSI
Ethernet	10/100 Base-T / RJ45

System

Local Storage	microSD/SDHC x 1
RS-485	N/A
USB	N/A
SDK	Surveon SDK 2.0

Viewing System

OS	Microsoft Windows XP/Vista/7
Browser	IE 8.x or above, Safari, Chrome (via IE Tab)
Software	Surveon VMS 2.5

General

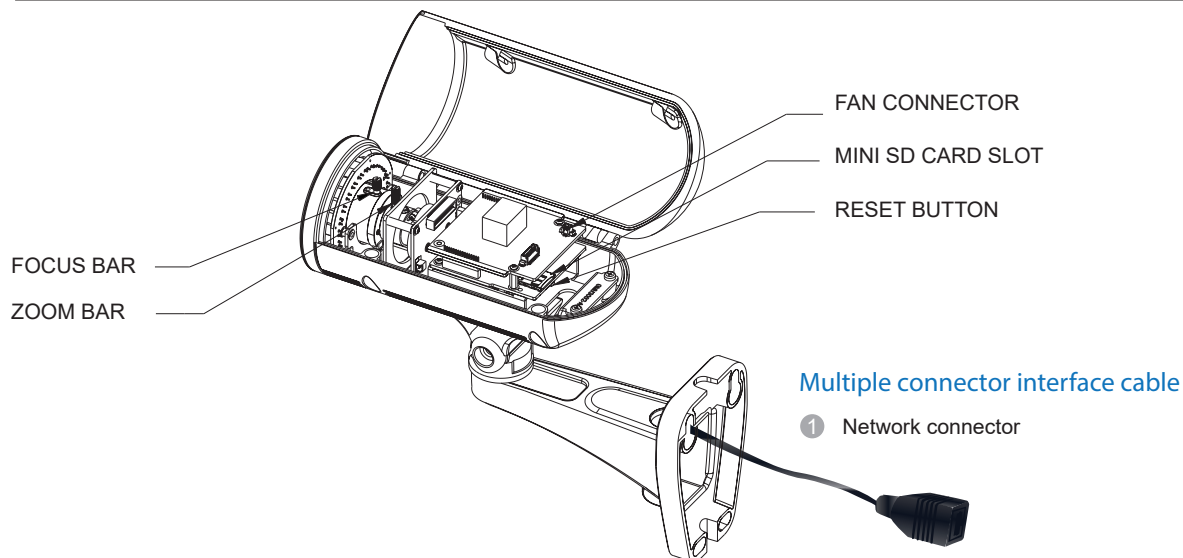
Temperature	Operation: -10°C ~ 50°C (14°F~122°F)
Humidity	5 to 90%
Power	PoE (IEEE 802.3af) with Class 3
Power Consumption	Max. 7.9W (w/o Heater)
Dimension	Length: 165mm, Diameter: 75mm
Weight	NET: 600g With bracket: 800g
Certification	Safety: LVD EMC: FCC, CE, IP66
Warranty	3 years

* All specifications are subject to change without notice.
* All brand names and registered trademarks are the property of their respective owners.

CAM3361LV

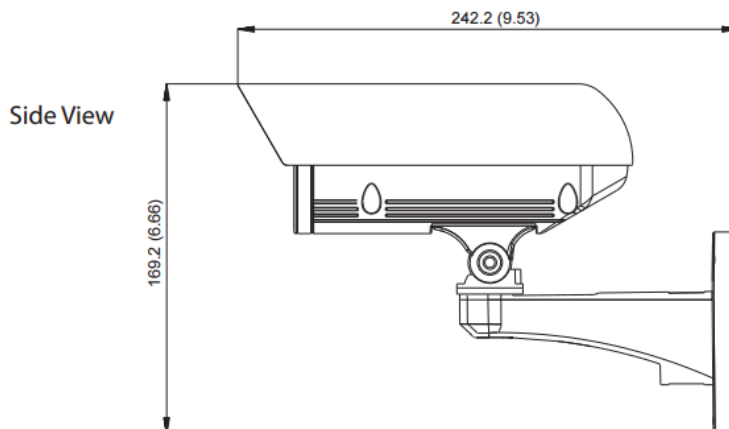
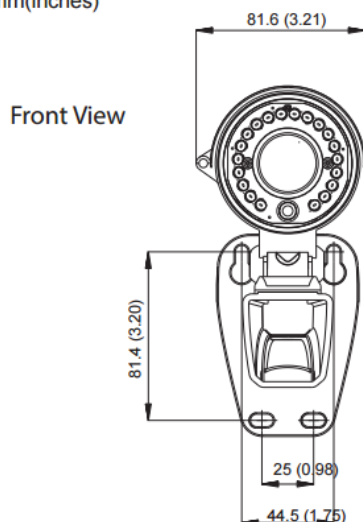
2 Megapixel Day&Night Outdoor Bullet Network Camera

Part Names and Functions



Appearance

Unit:mm(inches)



Package Content

Contents	Quantity
Quick Installation Guide	1
Product DVD	1
CAM3361LV	1
Anchors and Mounting Screws	4
L Type Hexagon Spanner	3

Ordering Information

Part Number	Description
CAM3361LV	2 Megapixel day&night outdoor bullet network camera with f3-10.5 mm

Optional Accessories

Part Number	Description
ZPWR18W-0030	Power Adapter, 12VDC, 1.5A; 18W
YBPICC0001G0	PoE Injector, 15.4W, 10/100M