

CAM2311P

Full HD P-Iris Day&Night Network Camera



- 2 Megapixel SONY Exmor Sensor
- Full HD & Real Time Network Camera
- Up to 1920 x 1080 Video Resolution
- H.264/MPEG4/MJPEG 2 Simultaneous Video Streams
- Surveon Video Intelligent Ready
- MicroSD/SDHC Local Storage for Alarm Capture
- Power over Ethernet (IEEE 802.3af)
- Support P-Iris & Day/Night IR-Cut Filter
- Built in Advanced ISP (WDR, HLC, 3D NR, DEFOG)



Network Camera

Product Specification

Camera	
Image Sensor	1/2.8" 2 megapixel SONY Exmor CMOS
Lens	3.1-8mm P-Iris Lens, F1.2 (CS mount)
SNR	48dB
WDR	Yes
Day/Night ICR	Yes
IR LED	N/A
Min Illumination	0.005 Lux @ F1.2 (B/W) 0.05 Lux @ F1.2 (Color)
Iris Control	P-Iris
Shutter time	1/30 ~ 1/50,000 s
Viewing Angle	Diagonal: 123.1°~ 48.3° Horizontal: 105.4°~ 42.2° Vertical: 57.9° ~ 23.8°
Camera Angle Adjustment	N/A
Pan/Tilt/Zoom Functionalities	N/A
Video	
Video Compression	H.264/MPEG-4/MJPEG
Resolution	Up to 1920 x 1080
Frame Rate	25 fps at 1080P (1920 x 1080) 30 fps at SXGA (1280 x 1024) 30 fps at HD720 (1280 x 720) 30 fps at D1 (720 x 480) 30 fps at VGA (640 x 480) 30 fps at QVGA (320 x 240)
Video Stream	Dual stream at H.264, MPEG-4, and MJPEG simultaneously
Bit Rate	64K ~ 10Mbps, VBR, CBR, controller frame rate and quality
Video Control	AGC (Auto Gain Control), AWB (Auto White Balance), AES (Auto Electronic Shutter), BLC (Back Light Compensation), HLC (High Light Compensation), 3D Noise Reduction, DEFOG, image adjustment
Intelligent video	Motion detection, tampering detection (blocked, redirected, defocused, or spray-painted)

Video Jack	Yes (BNC)
Audio	
Built-in MIC	N/A
Audio Compression	32KHz, ADPCM
Audio Input/Output	3.5mm phone jack
I/O and Event Management	
Alarm In	1, terminal block
Alarm Out	1, terminal block
Video Buffer	5 second pre-alarm, 30 second post-alarm
Event Action	Send snapshot or video clip by FTP or email, record to NAS, record to local storage, trigger DO
Network	
Supported Protocols	IPv4, ARP, TCP, UDP, ICMP, DHCP, NTP, DDNS, SMTP, FTP, HTTP, CIFS, PPPoE, UPnP, RTP, RTSP, RTCP, 3GPP, ONVIF
Ethernet	10/100 Base-T / RJ45
System	
Local Storage	microSD/SDHC x 1 (Class 4/Class 6 only)
RS-485	1 (2 pin on terminal block)
USB	N/A
SDK	Surveon SDK 2.0
Viewing System	
OS	Microsoft Windows XP/Vista/7
Browser	Microsoft IE 6.0 or above
Software	Surveon VMS 2.4.7
General	
Temperature	Operation: -10°C ~ 50°C (14°F ~ 122°F) Storage: -30°C ~ 60°C (-22°F ~ 140°F)
Humidity	5 to 90%
Power	12VDC 1.5A PoE (IEEE 802.3af) with Class 3
Power Consumption	Max. 7W
Dimension	74.95mm x 59.3mm x 153.5mm (2.95" x 2.34" x 6.04")
Weight	Net: 435g (0.96 lb) Gross: 1085g (2.4 lb)
Certification	Safety: LVD EMC: FCC, CE, GOST, KCC

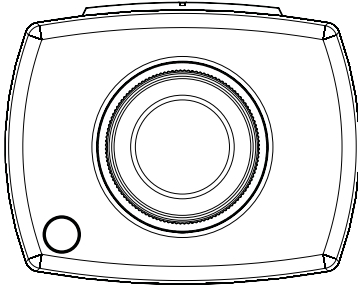
* All specifications are subject to change without notice.
* All brand names and registered trademarks are the property of their respective owners.

CAM2311P

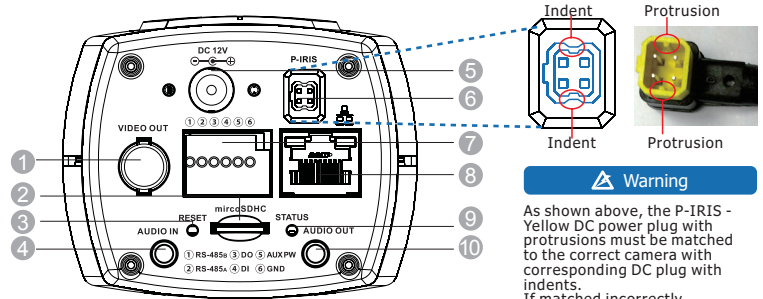
Full HD P-Iris Day&Night Network Camera

Part Names and Functions

Front View



Rear View

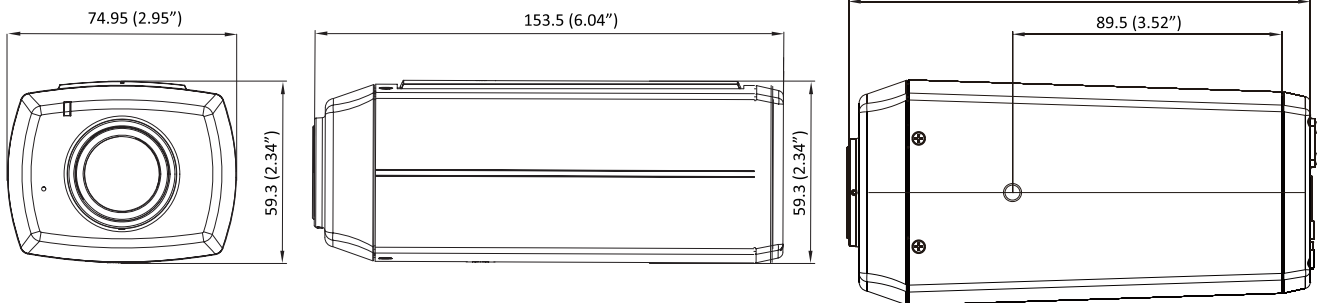


- 1 Video out
- 2 microSDHC slots
- 3 Reset button
- 4 Audio in
- 5 Power connector
- 6 P-Iris Connector
- 7 I/O terminal connectors
- 8 Network connector
- 9 Status indicator
- 10 Audio out

Warning
As shown above, the P-IRIS - Yellow DC power plug with protrusions must be matched to the correct camera with corresponding DC plug with indents. If matched incorrectly, irreversible damages may occur!

Appearance

Unit:mm(inches)



Package Content

Contents	Quantity
Quick Installation Guide	1
Product DVD	1
CAM2311P	1
Camera Stand	1
Decoration Ring	1
L Type Hexagon Spanner	1

Ordering Information

Part Number	Description
CAM2311P-0055	Full HD P-Iris day&night network camera with P-Iris lens

Optional Accessories

Part Number	Description
ZPWR18W-0030	Power Adapter