

# CAM1200

## Megapixel Day&Night Compact Network Camera



- Megapixel Progressive Scan CMOS Sensor
- Up to 1280 x 800 Video Resolution
- H.264/MJPEG 2 Simultaneous Video Streams
- Support Surveon Video Intelligence
- Power over Ethernet (IEEE 802.3af)
- Day/Night Function with IR-Cut Filter (CAM1201)
- Support Wireless Connection



### Product Specification

Camera	
Image Sensor	1/4" megapixel progressive scan CMOS
Lens	Changeable (CS/C mount)
SNR	48dB
WDR	Yes
Day/Night ICR	CAM1200: N/A CAM1201: Yes
IR LED	N/A
Min Illumination	0.01 Lux @ F1.2 (B/W) 0.1 Lux @ F1.2 (Color)
Iris Control	Fixed
Shutter time	1/2 ~ 1/50,000 s
Viewing Angle	N/A
Camera Angle Adjustment	N/A
Pan/Tilt/Zoom Functionalities	N/A
Video	
Video Compression	H.264/MJPEG
Resolution	Up to 1280 x 800
Frame Rate	30 fps at WXGA (1280 x 800) 30 fps at HD720 (1280 x 720) 30 fps at D1 (720 x 480) 30 fps at VGA (640 x 480) 30 fps at QVGA (320 x 240)
Video stream	Dual stream at H.264 and MJPEG simultaneously
Bit Rate	32K ~ 10Mbps, VBR, CBR, controller frame rate and quality
Video Control	AGC (Auto Gain Control), AWB (Auto White Balance), AES (Auto Electronic Shutter), image adjustment
Intelligent video	Motion detection, tampering detection (blocked, redirected, defocused, or spray-painted)
Video Jack	N/A
Audio	

Built-in MIC	N/A
Audio Compression	16KHz, ADPCM/G.711
Audio Input/Output	3.5mm phone jack
I/O and Event Management	
Alarm In	N/A
Alarm Out	N/A
Video Buffer	5 second pre-alarm, 5 second post-alarm
Event Action	Send snapshot or video clip by FTP or email, record to NAS, trigger DO
Network	
Supported Protocols	IPv4, IPv6, ARP, TCP, UDP, ICMP, IGMP, DHCP, NTP, DDNS, SMTP, FTP, HTTP, HTTPS, CIFS, PPPoE, UPnP, RTP, RTSP, RTCP, 3GPP, iSCSI
Ethernet	10/100 Base-T / RJ45
System	
Local Storage	N/A
RS-485	N/A
USB	USB 2.0 x 1 for Wireless
SDK	Surveon SDK 2.0
Viewing System	
OS	Microsoft Windows XP/Vista/7
Browser	IE 8.x or above, Safari, Chrome (via IE Tab)
Software	Surveon VMS 2.5
General	
Temperature	Operation: -10°C ~ 50°C (14°F~122°F)
Humidity	5 to 90%
Power	12VDC 1.5A; PoE (IEEE 802.3af) with Class 3
Power Consumption	Max. 5W
Dimension	64mm x 60mm x 97mm (2.52" x 2.36" x 3.82")
Weight	Net: 275g Gross: 530g
Certification	Safety: LVD EMC: FCC, CE
Warranty	3 years

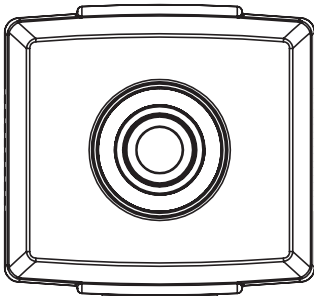
\* All specifications are subject to change without notice.  
\* All brand names and registered trademarks are the property of their respective owners.

# CAM1200

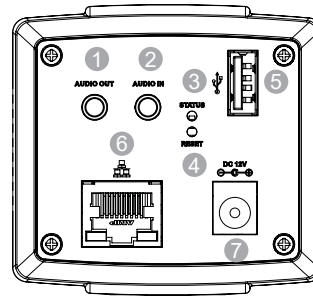
Megapixel Day&Night  
Compact Network Camera

## Part Names and Functions

Front View



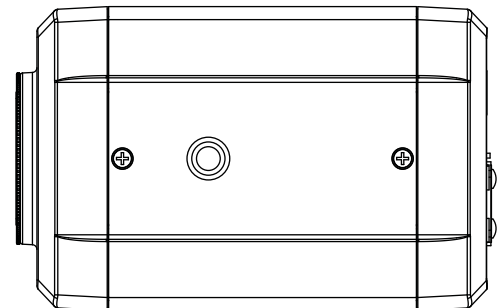
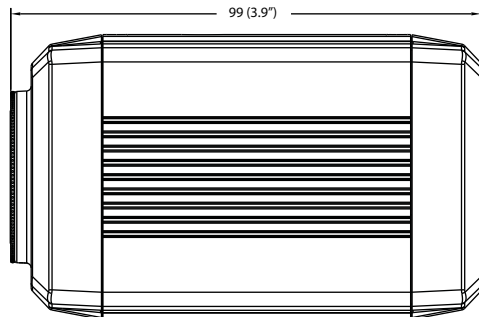
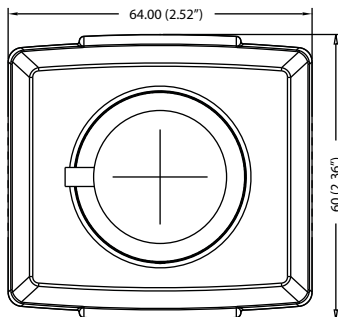
Rear View



- ① Audio out
- ② Audio in
- ③ Status indicator
- ④ Reset button
- ⑤ USB connector
- ⑥ Network connector
- ⑦ Power connector

## Appearance

Unit:mm(inches)



## Package Content

Contents	Quantity
Quick Installation Guide	1
Product DVD	1
CAM1200/CAM1201	1
Camera Stand	1

## Optional Accessories

Part Number	Description
ZPWR18W-0030	Power Adapter, 12VDC, 1.5A; 18W
YBPIC0001G0	PoE Injector, 15.4W, 10/100M
ZBracketS2-0010	Camera Long Stand for Box Camera, White
ZBracketS2-0050	Camera Long Stand for Box Camera, Silver
ZHousing-0010	IP66 Top Open IK10 Vandal Proof Box Camera
ZHousing50M-0010	IP66 Top Open IK10 Vandal Proof Box Camera Housing with 50M IR LED
YBWDTP001G0	Edimax EW-7711UAn, Wireless Dongle

## Ordering Information

Part Number	Description
CAM1200-0055	Megapixel H.264 network camera w/o lens
CAM1201-0055	Megapixel H.264 day&night network camera w/o lens

## Lens Options

Part Number	Description
YB0LL08M30G0	1/3", f3.6mm/F1.8, CS mount
YB0LL08M40G0	1/3", f4.2mm/F1.8, CS mount