

CAM5330SZ

2 Megapixel 10x Zoom PTZ Dome Network Camera



- Megapixel Progressive Scan Sensor
- Up to 1920 x 1080 Video Resolution
- H.264/MPEG4/MJPEG 2 Simultaneous Video Streams
- Advanced ISP Function (WDR, ROI*, 3D De-noise)
- SD Local Storage for Alarm Capture
- Power over Ethernet (IEEE 802.3af)
- 10X Optical Zoom and Auto Focus



Product Specification

Camera	
Image sensor	1/2.7" megapixel progressive scan CMOS
Lens	f4.9~ 49mm autofocus lens, F1.8~3.0
SNR	48dB
WDR	Yes
Day/Night ICR	N/A
IR LED	N/A
Min illumination	0.1 Lux @ F2.0 (B/W) 0.5 Lux @ F2.0 (Color)
Iris control	DC Drive
Shutter time	1/30 ~ 1/50,000 s
Viewing angle	Diagonal: 66.6° ~ 7.2°
Camera angle adjustment	Pan : 390°(-195°~195°)±1°, Pan speed : 1~200°/Sec Tilt : 95°(-5°~ 90°)±1°, Tilt speed : 1~120°/Sec
Pan/tilt/zoom functionalities	10x optical zoom , 4x digital zoom (Smart focus / Auto focus / Step focus), Support auto tracking function, Support multi - direction movement
Video	
Video compression	H.264/MPEG-4/MJPEG
Resolution	Up to 1920 x 1080
Frame rate	30 fps at 1080P (1920 x 1080) 30 fps at SXGA (1280 x 1024) 30 fps at WXGA (1280 x 800) 30 fps at VGA (640 x 480) 30 fps at QVGA (320 x 240)
Video stream	Dual stream at H.264, MPEG-4, and MJPEG simultaneously
Bit rate	64K ~ 10Mbps, VBR, CBR, controller frame rate and quality
Video control	AGC (Auto Gain Control), AWB (Auto White Balance), AES (Auto Electronic Shutter), WDR, 3D De-noise, ROI*, image adjustment
Intelligent video	Motion detection
Video jack	Video out x1
Audio	
Built-in MIC	N/A
Audio compression	G.711/AMR/AAC
Audio input/output	3.5mm phone jack

I/O and Event Management	
Alarm in	1, terminal block
Alarm out	1, terminal block
Video buffer	N/A
Event action	Send snapshot or video clip by email, record to local storage
Network	
Supported Protocols	TCP/IP, HTTP, SMTP, FTP, DDNS, UPnP, Telnet, NTP, PPPoE, DNS, DHCP, RTSP, Samba, iSCSI
Ethernet	10/100 Base-T / RJ45
System	
Local storage	SD Card slot x 1
RS-485	N/A
USB	USB 2.0 x 1
SDK	Surveon SDK 2.0
Viewing System	
OS	Microsoft Windows XP/Vista/Win7/Win8
Browser	IE 8.x or above, Safari, Chrome (via IE Tab)
Software	Surveon VMS 2.5
General	
Temperature	Operation: 0°C~ 40°C (32°F~104°F)
Humidity	85% RH
Power	12VDC 1.5A; PoE (IEEE 802.3af) with Class 3
Power consumption	Max. 10W
Dimension	Height : 128mm, Diameter : 130mm
Weight	NET. 960g
Certification	EMI & Safety: CE, FCC
Warranty	2 years

*Available soon.

* All specifications are subject to change without notice.
* All brand names and registered trademarks are the property of their respective owners.

CAM5330SZ

2 Megapixel 10x Zoom PTZ Dome Network Camera

Part Names and Functions

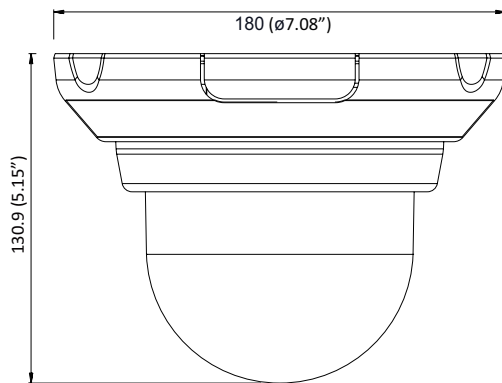


- ① LAN Socket
- ② General I/O terminal block
- ③ Indicating LEDs
- ④ A/V Jack
- ⑤ USB Socket
- ⑥ Rest
- ⑦ SD Socket
- ⑧ External microphone
- ⑨ Power Jack

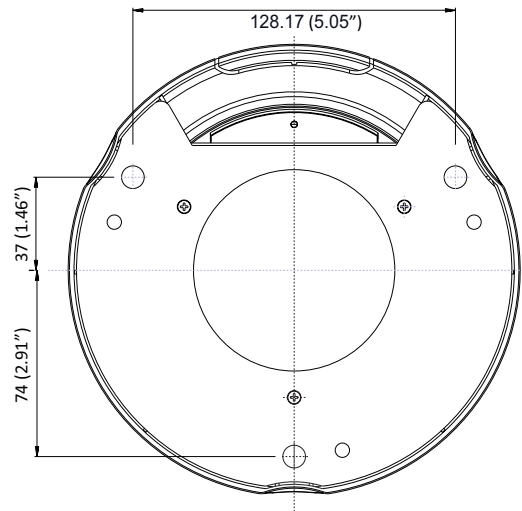
Appearance

Unit:mm(inches)

Side View



Bottom View



Package Content

Contents	Quantity
Quick Installation Guide	1
Product DVD	1
CAM5330SZ	1
Power adapter	1
Bracket	1

Ordering Information

Part Number	Description
CAM5330SZ-xxxx	2 Megapixel 10x Zoom PTZ Dome Network Camera with Auto Focus Lens

Optional Accessories

Part Number	Description
ZPWR18W-0030	Power Adapter, 12VDC, 1.5A; 18W
YBPICC0001G0	PoE Injector, 15.4W, 10/100M